



OPTIONS

Construction:

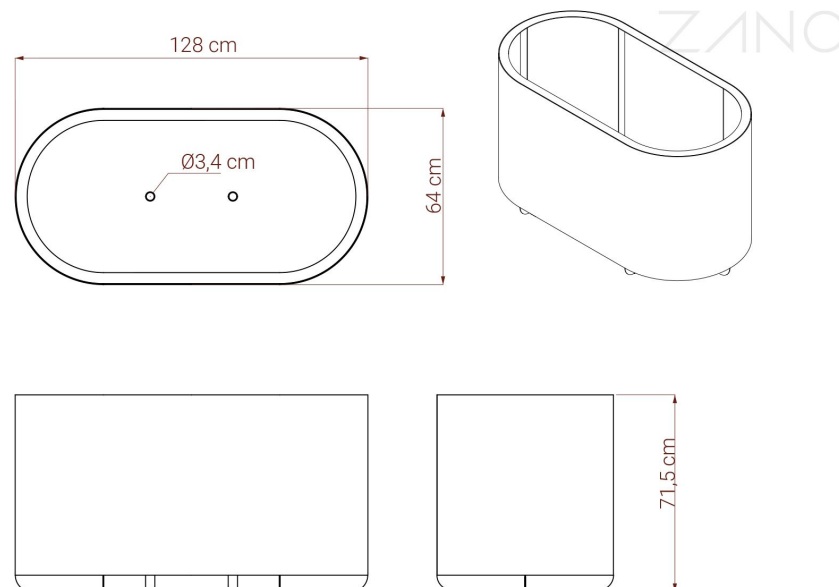
- carbon steel (s235Jr)
- stainless steel (Aisi 304)

Mounting method:

- free-standing
- to screw

DESCRIPTION

The Universe planter, catalog number 06.455.4, is a modern piece of **street furniture** designed by Iwona Żaczek as part of the Universe product line. It features a minimalist, curved Forma with an oval cross-section that fits perfectly into the aesthetics of contemporary public spaces, such as shopping malls, office buildings, and modern residential developments. This stylish **urban planter** is the perfect complement to compositions featuring **benches** and **trash garbage cans**, creating a visually and functionally cohesive arrangement of **street furniture**. Thanks to its substantial 400-liter capacity, the planter allows for an impressive display of spreading plants, which significantly improves the aesthetics of the urban environment and the comfort of those using it. The Universe model is available in two material variants: powder-coated carbon steel or high-quality stainless steel, ensuring durability and resistance to changing weather conditions. Measuring 128 cm in width, 72 cm in height, and 64 cm in depth, the planter offers installation flexibility as a freestanding unit or one designed to be bolted directly to the ground. Its sturdy construction makes this **street furniture** exceptionally stable and resistant to damage. The Universe planter combines technical precision of craftsmanship...



GENERAL TECHNICAL DATA

Dimensions:

- width: 50 1/2 in
- height: 28 1/4 in
- depth: 25 1/4 in

Capacity:

- capacity: 105 3/4 gal

ZANO



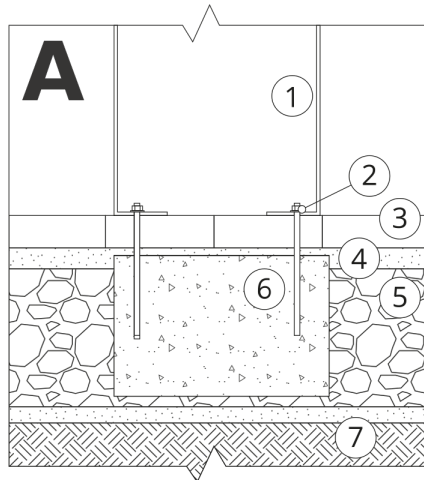
Iwona Żaczek

Product: Universe Planter
 Catalog number: 06.455.4
 Designer: Iwona Żaczek

In accordance with the Polish Law on Copyright and Related Rights of 04.02.1994 (Official Journal of Laws No. 24, item 83, corrected: Journal of Laws No. 43, item 170) and in accordance with the EU copyright legislation including all EU directives and regulations on copyright, Zano Mirosław Zarotynski Company, reserves the copyright of drawings, descriptions, 3D models, renderings, graphics, content contained in offers, attachments to offers and all other documents. Its content is the intellectual property of ZANO Mirosław Zarotynski company. The use of author's ideas, solutions, copying, distribution of photos, graphics or fragments of graphics, descriptive texts, for profit, without the permission of the author - ZANO Mirosław Zarotynski company - is prohibited and constitutes a copyright infringement and is punishable.

NOTE: The drawings do not reflect the actual dimensions of the foundation. These are only sample installation diagrams taking into account the type of anchoring and the material of the substrate to which to attach the furniture.

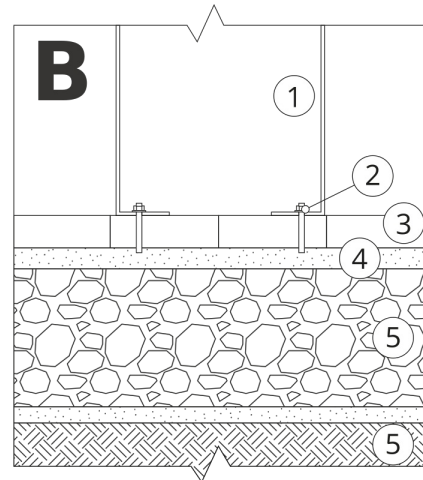
The size of the foundation depends on local foundation conditions.



INSTALLATION TO PAVING WITH FOUNDATION

Installation description

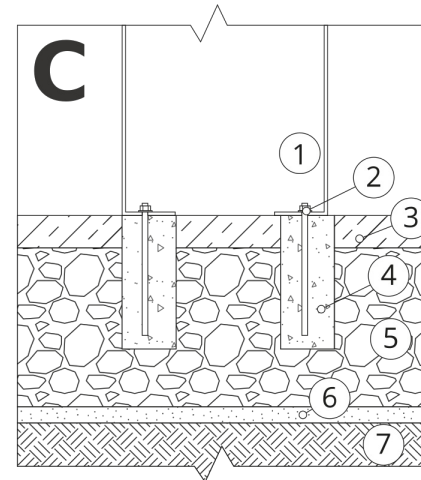
1. ZANO product
2. Quick-attachment / quick-attachment or chemical anchor
3. Stone paving / concrete paving / stone slabs / concrete slabs
4. Sand ballast (approximately 2 - 4 cm)
5. Stone aggregate substructure
6. Concrete foundation of C16/20 class (top surface of concrete 10 cm below paving surface)
7. Local land



MOUNTING TO PAVING

Installation description

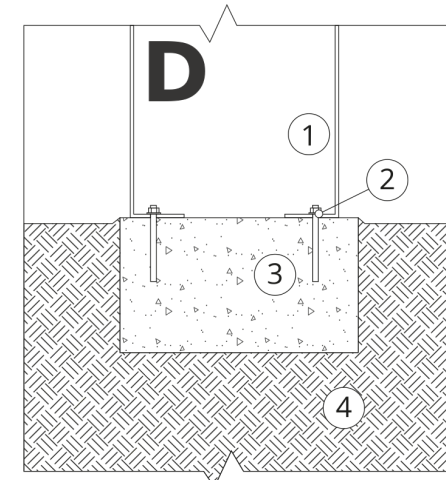
1. ZANO product
2. Quick-attachment / quick-attachment or chemical anchor
3. Stone paving / concrete paving / stone slabs / concrete slabs
4. Sand ballast (approximately 2 - 4 cm)
5. Stone aggregate substructure
6. Local land



MOUNTING TO CONCRETE / ASPHALT

Installation description

1. ZANO product
2. Quick-attachment / quick-attachment or chemical anchor
3. Fixed restrained surface, such as concrete or asphalt
4. Concrete foundation of C16/20 class (top surface of concrete 10 cm below paving surface)
5. Stone aggregate substructure
6. Sand ballast (approximately 2 - 4 cm)
7. Local land



MOUNTING TO CONCRETE FOUNDATION

Installation description

1. ZANO product
2. Quick-attachment / quick-attachment or chemical anchor
3. Concrete foundation of C16/20 class (top surface of concrete 10 cm below paving surface)
4. Local land