



OPTIONS

Construction:

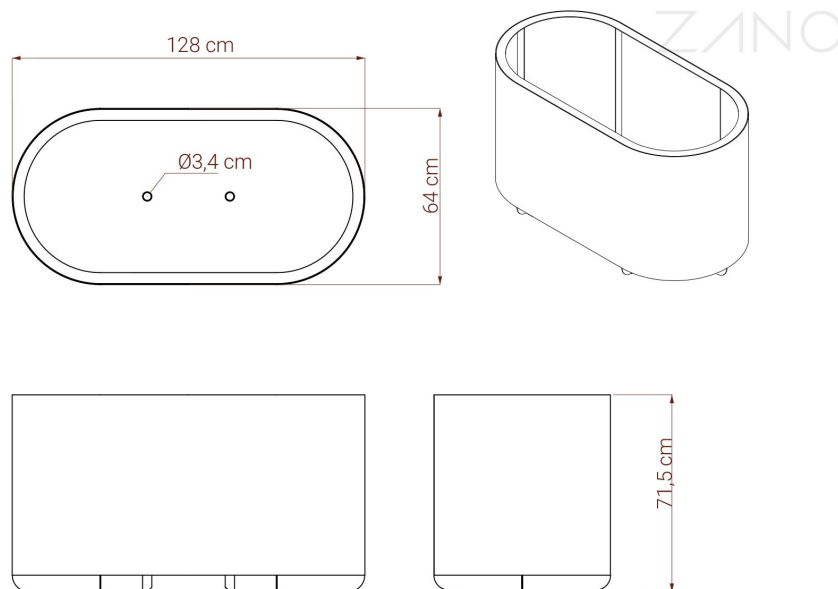
- carbon steel (s235Jr)
- stainless steel (Aisi 304)

Methods of installation:

- free-standing
- attached by bolts to foundation

DESCRIPTION

The Universe planter, catalogue number 06.455.4, is a modern piece of **street furniture** designed by Iwona Żaczek as part of the Universe product range. It is characterised by a minimalist, curved Forma with an oval cross-section, which fits perfectly into the aesthetics of contemporary public spaces, such as shopping centres, office buildings and modern housing estates. This stylish **urban planter** is the perfect complement to compositions featuring **benches** and **trash garbage cans**, creating a visually and functionally coherent arrangement of **street furniture**. Thanks to its substantial capacity of 400 litres, the planter allows for the striking display of spreading plants, which significantly improves the aesthetics of the urban environment and the comfort of those using it. The Universe model is available in two material variants: powder-coated carbon steel or high-quality stainless steel, ensuring durability and resistance to changing weather conditions. Measuring 128 cm in width, 72 cm in height and 64 cm in depth, the planter offers installation flexibility as a freestanding unit or one designed to be bolted directly to the ground. Its robust construction makes this **street furniture** exceptionally stable and resistant to damage. The Universe planter combines technical precision of...



GENERAL TECHNICAL DATA

Dimensions:

- width: 128 cm
- height: 72 cm
- depth: 64 cm

Capacity:

- capacity: 400 l

ZANO



Iwona Żaczek

Product: Universe Planter
Catalog number: 06.455.4
Designer: Iwona Żaczek

In accordance with the Polish Law on Copyright and Related Rights of 04.02.1994 (Official Journal of Laws No. 24, item 83, corrected: Journal of Laws No. 43, item 170) and in accordance with the EU copyright legislation including all EU directives and regulations on copyright, Zano Mirosław Zarotynski Company, reserves the copyright of drawings, descriptions, 3D models, renderings, graphics, content contained in offers, attachments to offers and all other documents. Its content is the intellectual property of ZANO Mirosław Zarotynski company. The use of author's ideas, solutions, copying, distribution of photos, graphics or fragments of graphics, descriptive texts, for profit, without the permission of the author - ZANO Mirosław Zarotynski company - is prohibited and constitutes a copyright infringement and is punishable.

NOTE: The drawings do not reflect the actual dimensions of the foundation. They are only exemplary assembly schemes taking into account the type of anchoring and the substrate material to which the furniture is to be fixed.

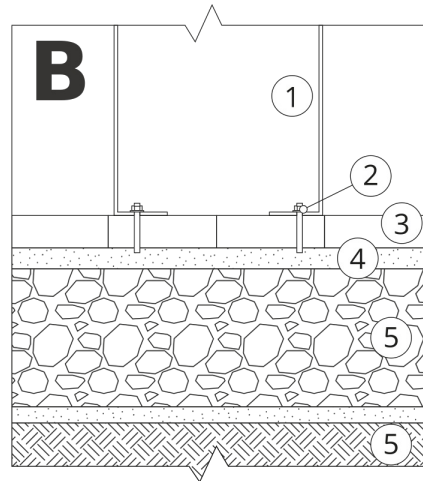
The size of the foundation depends on the local foundation conditions.



INSTALLATION INTO PAVING WITH FOUNDATION

Description of the assembly

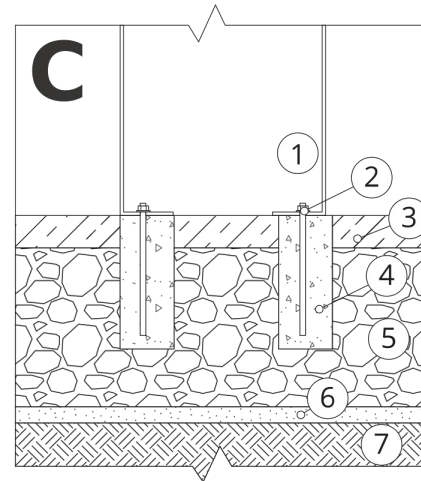
1. ZANO product
2. Quick-action fastener or chemical anchor
3. Stone paving / concrete paving / stone slabs / concrete slabs
4. Sand ballast (approx. 2 - 4 cm)
5. Stone aggregate substructure
6. Concrete foundation, class C16/20 (top surface concrete 10 cm below paving surface)
7. Ground



INSTALLATION TO PAVING

Description of the assembly

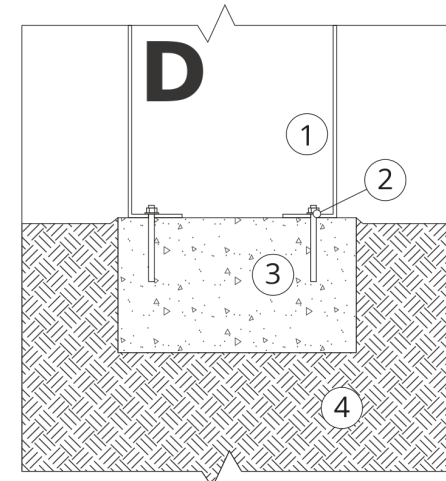
1. ZANO product
2. Quick-action fastener or chemical anchor
3. Stone paving / concrete paving / stone slabs / concrete slabs
4. Sand ballast (approx. 2 - 4 cm)
5. Stone aggregate substructure
6. Ground



CONCRETE / ASPHALT MOUNTING

Description of the assembly

1. ZANO product
2. Quick-action fastener or chemical anchor
3. Fixed hardened surface e.g. concrete or asphalt
4. Concrete foundation, class C16/20 (top surface concrete 10 cm below paving surface)
5. Stone aggregate substructure
6. Sand ballast (approx. 2 - 4 cm)
7. Ground



MOUNTING TO CONCRETE FOUNDATION

Description of the assembly

1. ZANO product
2. Quick-action fastener or chemical anchor
3. Concrete foundation, class C16/20 (top surface concrete 10 cm below paving surface)
4. Ground