

GENERAL TECHNICAL DATA

dimensions:

- height: 32 43/64"
- width: 8 21/32"
- depth: 35 3/64"

weight:

- 41.89lb - cast-in version
- 37.48lb - bolt-on version

materials:

- stainless steel or carbon steel, galvanised and powder-coated

DESCRIPTION

Welded structure made of 0 25/64" thick carbon steel sheets ASTM A36 galvanised and powder-coated according to RAL palette or 0 5/16" thick steel sheets entirely made of stainless steel AISI 304SS brushed. Two bicycles may be attached to the stand.

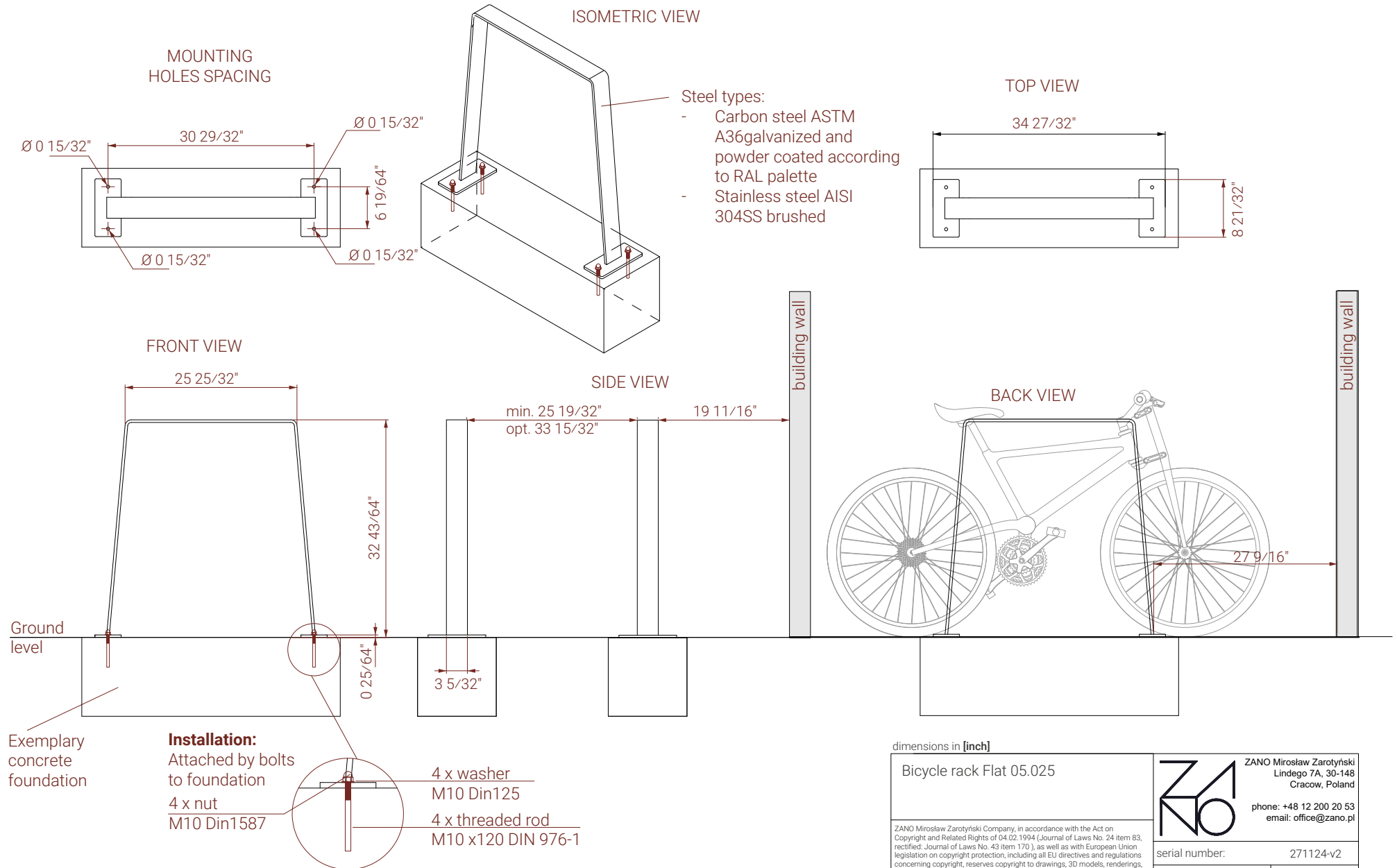
All landscaping elements must be properly anchored in accordance with the manufacturer's technical instructions. The manufacturer cannot be held responsible for damage caused by negligent use or failure to follow the instructions.



M. Welmiński

product:
Bicycle Rack Flat 05.025
designer: Mateusz Welmiński

ZANO Miroslaw Zarotyński Company, in accordance with the Act on Copyright and Related Rights of 04.02.1994 (Journal of Laws No. 24 item 83, rectified: Journal of Laws No. 43 item 170), as well as with European Union legislation on copyright protection, including all EU directives and regulations concerning copyright, reserves copyright to drawings, 3D models, renderings, graphics, content contained in offers, annexes to offers and other documents - their content constitutes intellectual property of the ZANO Miroslaw Zarotyński company. The use of author's ideas, solutions, copying and distribution of photographs, graphics fragments, text descriptions for commercial purposes without the permission of the author - ZANO Miroslaw Zarotyński - is forbidden and constitutes an infringement of copyright and is subject to punishment.



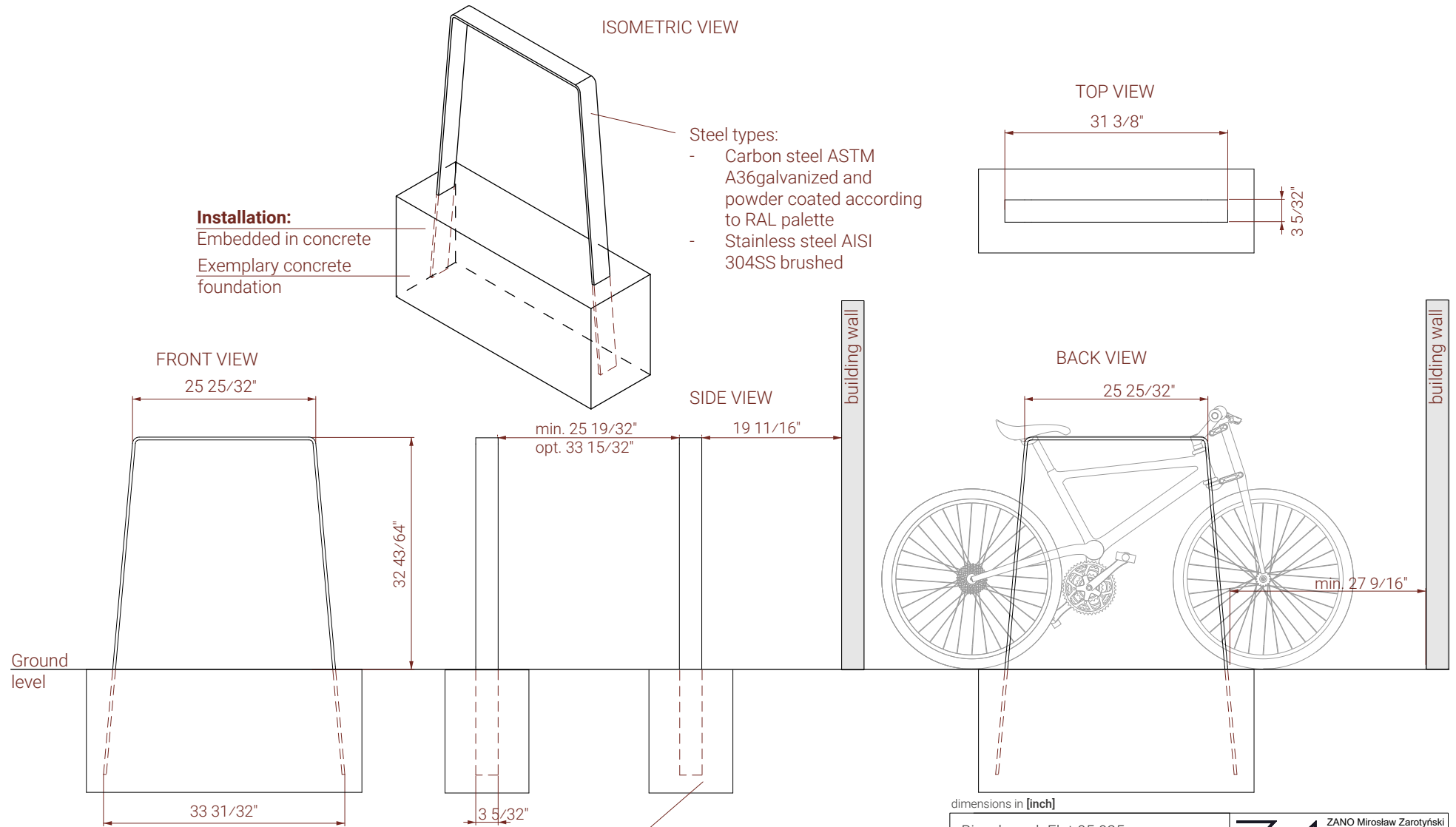
Note: The 30 29/32" mounting hole spacing is the suggested dimension for anchoring to the substrate. The actual hole spacing in the fabricated workpiece may differ slightly from that in the drawing, due to thermal deformation during baking in the oven during powder coating, and the elasticity of the material itself. The differences in spacing can range from 1 3/16" to 1 37/64". As the material is elastic enough, it is still possible to achieve a dimension of 30 29/32" with very little force.

Bicycle rack Flat 05.025

ZANO Miroslaw Zarotyński Company, in accordance with the Act on Copyright and Related Rights of 04.02.1994 (Journal of Laws No. 24 item 83, rectified: Journal of Laws No. 43 item 170), as well as with European Union legislation on copyright protection, including all EU directives and regulations concerning copyright, reserves copyright to drawings, 3D models, renderings, graphics, content contained in offers, annexes to offers and other documents – their content constitutes intellectual property of the ZANO Miroslaw Zarotyński company. The use of author's ideas, solutions, copying and distribution of photographs, graphics fragments, text descriptions for commercial purposes without the permission of the author - ZANO Miroslaw Zarotyński - is forbidden and constitutes an infringement of copyright and is subject to punishment.


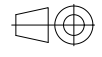
ZANO ZANO Miroslaw Zarotyński
Lindego 7A, 30-148
Cracow, Poland
phone: +48 12 200 20 53
email: office@zano.pl

serial number:	271124-v2	
sheet:	A4	
scale:	1:20	
weight:	37.48lb - bolt-on rack	



Exemplary concrete foundation

dimensions in [inch]

Bicycle rack Flat 05.025		 ZANO Miroslaw Zarotyński Lindego 7A, 30-148 Cracow, Poland phone: +48 12 200 20 53 email: office@zano.pl	
ZANO Miroslaw Zarotyński Company, in accordance with the Act on Copyright and Related Rights of 04.02.1994 (Journal of Laws No. 24 item 83, rectified: Journal of Laws No. 43 item 170), as well as with European Union legislation on copyright protection, including all EU directives and regulations concerning copyright, reserves copyright to drawings, 3D models, renderings, graphics, content contained in offers, annexes to offers and other documents – their content constitutes intellectual property of the ZANO Miroslaw Zarotyński company. The use of author's ideas, solutions, copying and distribution of photographs, graphics fragments, text descriptions for commercial purposes without the permission of the author - ZANO Miroslaw Zarotyński - is forbidden and constitutes an infringement of copyright and is subject to punishment.		serial number:	271124-v2
sheet:	A4		
scale:	1:20		
weight: 41.89lb - stand to be concreted in			