



GENERAL TECHNICAL DATA:

dimensions:

- height: 31 1/2"
- width: 16 17/32"
- depth: 16 17/32"

weight:

- 20 kg

capacity:

- 40 L

materials:

- powder coated cast iron according to RAL palette
- stainless steel brushed
- softwood, lacquered or hardwood, oiled
- insert from galvanised sheet

DESCRIPTION:

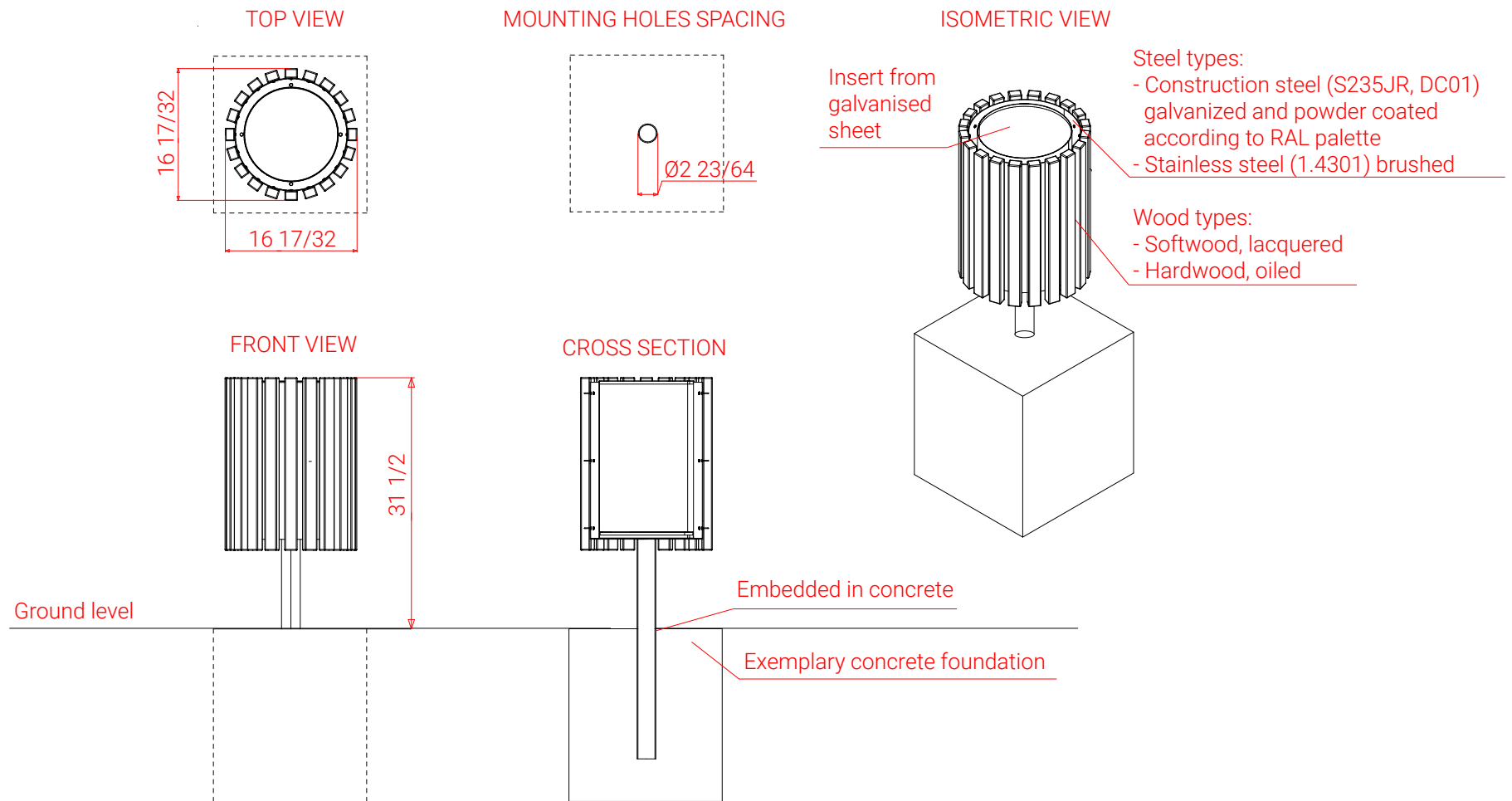
Welded bent structure connected with wooden planks. Weld structure of 0 5/64" and 0 1/8" thick carbon steel sheets powder coated according to RAL palette. Basket using 20 wooden planks with a rectangular cross section of 1 3/16x1 37/64" and a length of 21 21/32". European coniferous wood impregnated and varnished. Basket insert made of galvanized sheet metal.

All street furniture elements must be properly anchored according to the manufacturer's technical instructions. The manufacturer is not liable for damage caused by negligent use or failure to follow instructions.


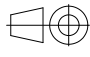


product: Litter bin Mico 03.057

In accordance with the Polish Law on Copyright and Related Rights of 04.02.1994 (Official Journal of Laws No. 24, item 83, corrected: Journal of Laws No. 43, item 170) and in accordance with the EU copyright legislation including all EU directives and regulations on copyright, Zano Miroslaw Zarotynski Company, reserves the copyright of drawings, descriptions, 3D models, renderings, graphics, content contained in offers, attachments to offers and all other documents. Its content is the intellectual property of ZANO Miroslaw Zarotynski company. The use of author's ideas, solutions, copying, distribution of photos, graphics or fragments of graphics, descriptive texts, for profit, without the permission of the author - ZANO Miroslaw Zarotynski company - is prohibited and constitutes a copyright infringement and is punishable.



Dimensions give in [inches]

Mico litter bin 03.057		 ZANO Street Furniture Lindego 7A, 30-148 Cracow, Poland phone: +48 12 200 20 53 email: office@zano.pl	
<small>In accordance with the Polish Law on Copyright and Related Rights of 04.02.1994 (Official Journal of Laws No. 24, item 83, corrected: Journal of Laws No. 43, item 170) and in accordance with the EU copyright legislation including all EU directives and regulations on copyright, Zano Miroslaw Zarotyński Company, reserves the copyright of drawings, descriptions, 3D models, renderings, graphics, content contained in offers, attachments to offers and all other documents. Its content is the intellectual property of ZANO Miroslaw Zarotyński company. The use of author's ideas, solutions, copying, distribution of photos, graphics or fragments of graphics, descriptive texts for profit, without the permission of the author - ZANO Miroslaw Zarotyński company - is prohibited and constitutes a copyright infringement and is punishable.</small>		Number:	190922-V1
Sheet:	A4		
Scale:	1:20		
Mass:	20 kg		