



## GENERAL TECHNICAL DATA

### dimensions:

- height: 100 cm
- width: 113 cm
- depth: 13 cm

### weight:

32 kg

### materials:

- structural steel (S235JR, DC01) galvanized galvanized and powder coated according to RAL palette
- cast iron powder coated according to RAL palette RAL

## DESCRIPTION:

Welded structure made of 60.3 mm diameter carbon steel s235Jr galvanised and powder coated according to RAL palette combined with powder coated cast iron.

All landscaping elements must be properly anchored according to the manufacturer's technical instructions. The manufacturer is not liable for damage caused by negligent use or failure to follow instructions.

ZANO  
SINCE 1994

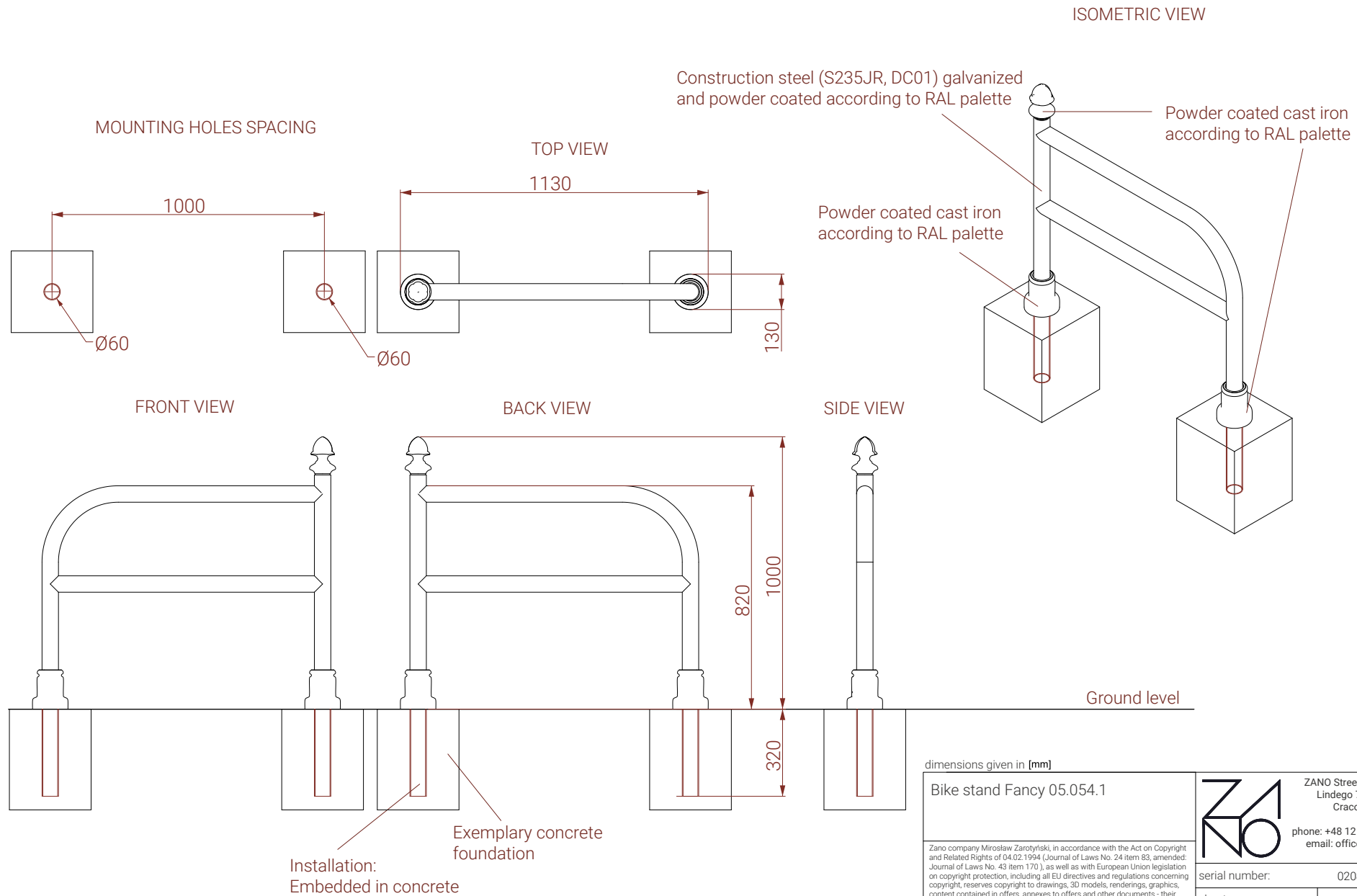


PROJEKTANT


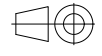
*Tomasz Szpytma*

Product:  
Fancy bicycle stand 05.054.1  
designer: Tomasz Szpytma

Zano company Miroslaw Zarotyński, in accordance with the Act on Copyright and Related Rights of 04.02.1994 (Journal of Laws No. 24 item 83, amended: Journal of Laws No. 43 item 170), as well as with European Union legislation on copyright protection, including all EU directives and regulations concerning copyright, reserves copyright to drawings, 3D models, renderings, graphics, content contained in offers, annexes to offers and other documents - their content constitutes intellectual property of the ZANO Miroslaw Zarotyński company, The use of author's ideas, solutions, copying and distribution of photographs, graphics fragments, text descriptions for commercial purposes without the permission of the author - ZANO Miroslaw Zarotyński - is forbidden and constitutes an infringement of copyright and is subject to punishment.



dimensions given in [mm]

Bike stand Fancy 05.054.1		 ZANO Street Furniture Lindego 7A, 30-148 Cracow, Poland phone: +48 12 200 20 53 email: office@zano.pl	
Zano company Miroslaw Zarotyński, in accordance with the Act on Copyright and Related Rights of 04.02.1994 (Journal of Laws No. 24 item 83, amended: Journal of Laws No. 43 item 170 ), as well as with European Union legislation on copyright protection, including all EU directives and regulations concerning copyright, reserves copyright to drawings, 3D models, renderings, graphics, content contained in offers, annexes to offers and other documents - their content constitutes intellectual property of the ZANO Miroslaw Zarotyński company; The use of author's ideas, solutions, copying and distribution of photographs, graphics fragments, text descriptions for commercial purposes without the permission of the author - ZANO Miroslaw Zarotyński - is forbidden and constitutes an infringement of copyright and is subject to punishment.		serial number:	020824-v1
sheet:	A4		
scale:	1:20		
weight:	32 kg		