

GENERAL TECHNICAL DATA

dimensions:

- height: 43 cm
- width: 90 cm
- depth: 90 cm

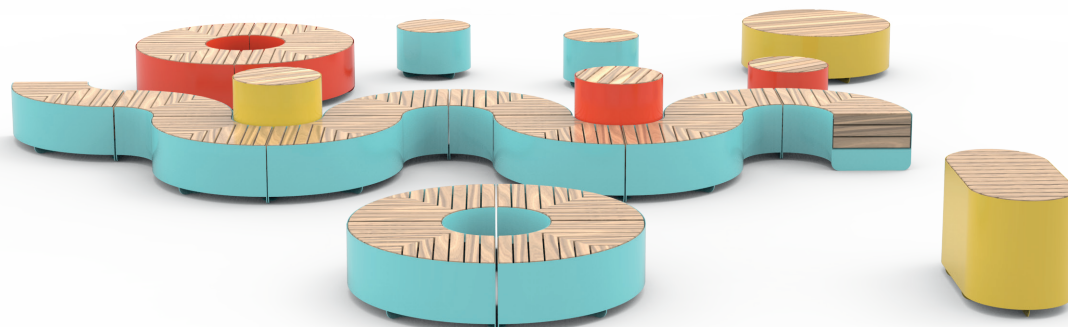
- weight:**
- using softwood 53 kg
 - using hardwood 58 kg

- materials:**
- stainless or carbon steel
 - hardwood or softwood

DESCRIPTION

Welded structure combined with wooden planks. Welded 3 mm thick steel sheet structure made of carbon steel s235Jr, galvanised and powder coated in accordance with RAL palette, or entirely of stainless steel 1.4301 ground. The bench seat is made of 19 wooden planks with a rectangular cross-section of 38 x 80 mm and varying in length from 285 mm to 640 mm. One board has dimensions of 38 x 102 x 134 mm. European coniferous wood impregnated and varnished twice or exotic wood impregnated and oiled twice.

All items of street furniture must be properly anchored according to the manufacturer's technical instructions. The manufacturer is not liable for damage caused by negligent use or failure to follow instructions.



ZANO
SINCE 1998

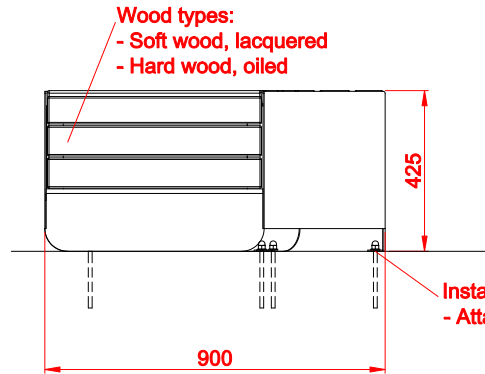


Filip Babiarez

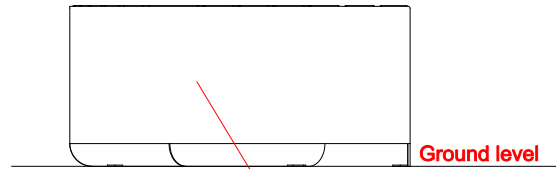
product:
bench UNIVERSE 02.455.3
version: 1
designer: Filip Babiarez

In accordance with the Polish Law on Copyright and Related Rights of 04.02.1994 (Official Journal of Laws No. 24, item 83, corrected: Journal of Laws No. 43, item 170) and in accordance with the EU copyright legislation including all EU directives and regulations on copyright, Zano Miroslaw Zarotyński Company, reserves the copyright of drawings, descriptions, 3D models, renderings, graphics, content contained in offers, attachments to offers and all other documents. Its content is the intellectual property of ZANO Miroslaw Zarotinski company. The use of author's ideas, solutions, copying, distribution of photos, graphics or fragments of graphics, descriptive texts, for profit, without the permission of the author - ZANO Miroslaw Zarotyński company - is prohibited and constitutes a copyright infringement and is punishable.

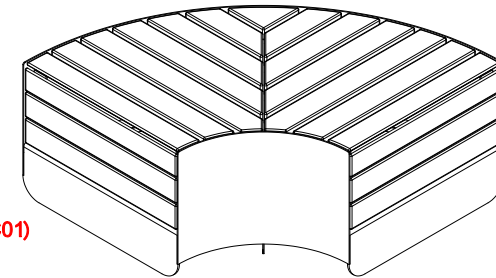
FRONT VIEW



SIDE VIEW

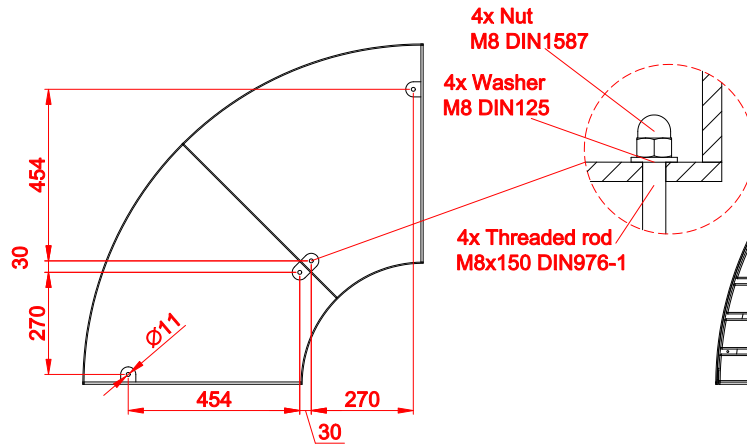


ISOMETRIC VIEW

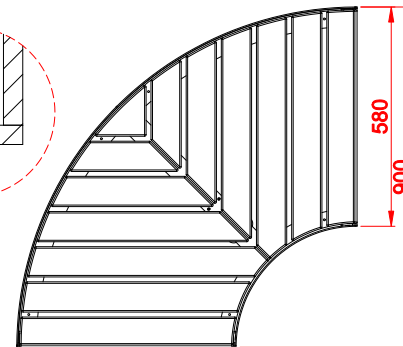


Steel types:
 - Construction steel (S235JR, DC01) galvanized and powder coated according to RAL palette
 - Stainless steel (1.4301) brushed

MOUNTING HOLES SPACING



TOP VIEW



Dimensions given in [mm]

Universe bench
02.455.3



ZANO Street Furniture
 Lindego 7A, 30-148
 Cracow, Poland
 phone: +48 12 200 20 53
 email: office@zano.pl

In accordance with the Polish Law on Copyright and Related Rights of 04.02.1994 (Official Journal of Laws No. 24, Item 83, corrected: Journal of Laws No. 43, Item 170) and in accordance with the EU copyright legislation including all EU directives and regulations on copyright, Zano Miroslaw Zarotyński Company, reserves the copyright of drawings, descriptions, 3D models, renderings, graphics, content contained in offers, attachments to offers and all other documents. Its content is the intellectual property of ZANO Miroslaw Zarotyński company. The use of author's ideas, solutions, copying, distribution of photos, graphics or fragments of graphics, descriptive texts, for profit, without the permission of the author - ZANO Miroslaw Zarotyński company - is prohibited and constitutes a copyright infringement and is punishable.

Number:	280120-v1	
Sheet:	A4	
Scale:	1:20	
Mass:	with soft wood	53 kg
	with hard wood	58 kg