



### GENERAL TECHNICAL DATA

#### dimensions:

- width: 176 cm
- height: 81,5 cm
- bench arch angle: 60°

#### weight:

- with softwood 70 kg
- with hardwood 85 kg

#### materials:

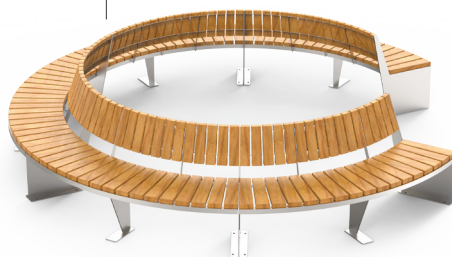
- steel: carbon or stainless
- hardwood or softwood

### DESCRIPTION:

Welded structure combined with wooden planks. Welded steel sheet structure, 4-8 mm thick, made of carbon steel s235Jr galvanised and powder coated in accordance with RAL palette or entirely of stainless steel 1.4301 ground. Seat and backrest of the bench using wooden planks. Seat with 17 wooden planks, section 105 x 38 x 450 mm. In the backrest 17 wooden planks 78 x 38 x 310 mm. Softwood impregnated and varnished twice or hardwood impregnated and oiled twice.

All items of street furniture must be properly anchored according to the manufacturer's technical instructions. The manufacturer is not liable for damage caused by negligent use or failure to follow instructions.

5 x Domino bench 60 02.440.3



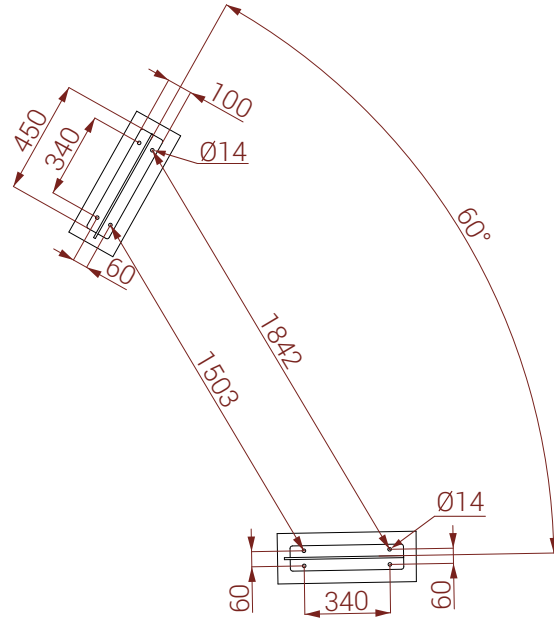
3 x Domino bench 60 02.440.3  
1 x Domino bench 90 02.040.2



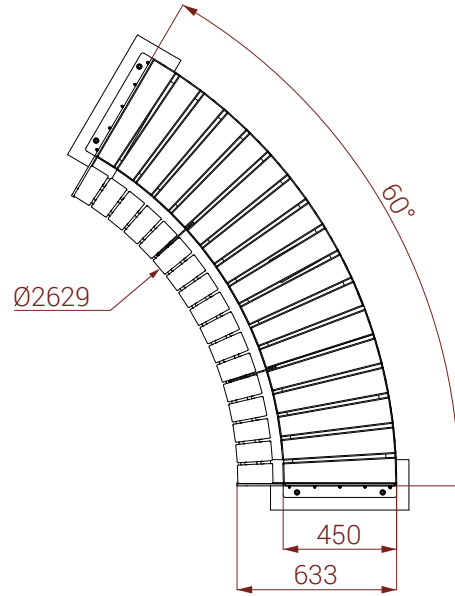
product:  
DOMINO bench 60 02.440.3  
designer: Justyna Derewiaka

In accordance with the Polish Law on Copyright and Related Rights of 04.02.1994 (Official Journal of Laws No. 24, item 83, corrected: Journal of Laws No. 43, item 170) and in accordance with the EU copyright legislation including all EU directives and regulations on copyright, Zano Mirosław Zarotyński Company, reserves the copyright of drawings, descriptions, 3D models, renderings, graphics, content contained in orders, attachments to orders and all other documents. Its content is the intellectual property of ZANO Mirosław Zarotyński company. The use of author's ideas, solutions, copying, distribution of photos, graphics or fragments of graphics, descriptive texts, for profit, without the permission of the author - ZANO Mirosław Zarotyński company - is prohibited and constitutes a copyright infringement and is punishable.

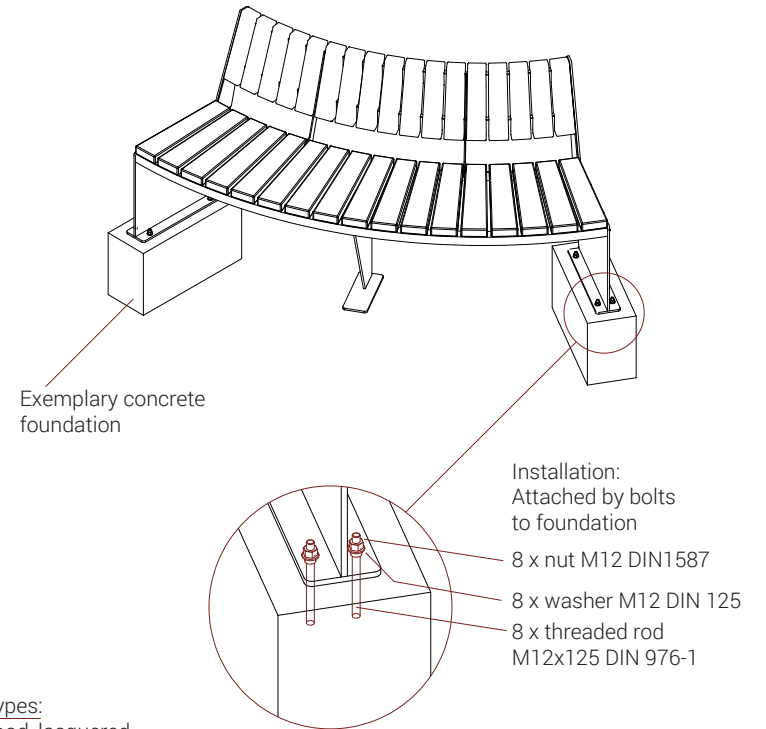
MOUNTING HOLES SPACING



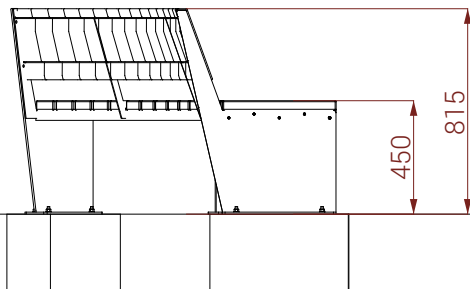
TOP VIEW



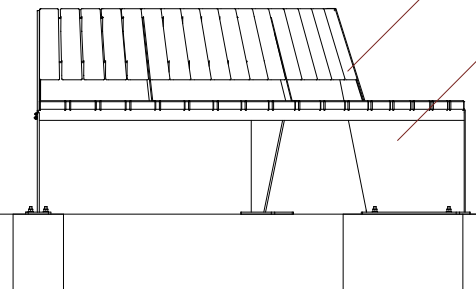
ISOMETRIC VIEW



SIDE VIEW




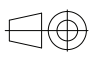
FRONT VIEW



Wood types:  
 - Softwood, lacquered  
 - Hardwood, oiled

Steel types:  
 - Construction steel (S235JR, DC01) galvanized and powder coated according to RAL palette  
 - Stainless steel (1.4301) brushed

Dimensions given in [mm]

Domino bench 60 02.440.3		 ZANO Street Furniture Lindego 7A, 30-148 Cracow, Poland phone: +48 12 200 20 53 email: office@zano.pl
In accordance with the Polish Law on Copyright and Related Rights of 04.02.1994 (Official Journal of Laws No. 24, item 83, corrected: Journal of Laws No. 43, item 170) and in accordance with the EU copyright legislation including all EU directives and regulations on copyright, Zano Miroslaw Zarotynski Company, reserves the copyright of drawings, descriptions, 3D models, renderings, graphics, content contained in offers, attachments to offers and all other documents. Its content is the intellectual property of ZANO Miroslaw Zarotynski company. The use of author's ideas, solutions, copying, distribution of photos, graphics or fragments of graphics, descriptive texts, for profit, without the permission of the author - ZANO Miroslaw Zarotynski company - is prohibited and constitutes a copyright infringement and is punishable.		
Number:	160524-V1	
Sheet:	A4	
Scale:	1:30	
Mass:	with softwood 70 kg with hardwood 85 kg	