

## GENERAL TECHNICAL DATA

### dimensions:

- height: 83 cm
- width: 82 cm
- depth: 8 cm

### weight:

- 19 kg (concrete foundation)
- 17 kg (attached to the ground by bolts)

### materials:

- stainless or carbon steel

## DESCRIPTION

Welded construction made of rectangular steel sheet, dimensions 80 x 10 mm, made of carbon steel s235Jr galvanized and powder-coated according to RAL palette or dimensions 80 x 8 mm, entirely made of brushed stainless steel 1.4301.

Two bicycles can be attached to the rack.

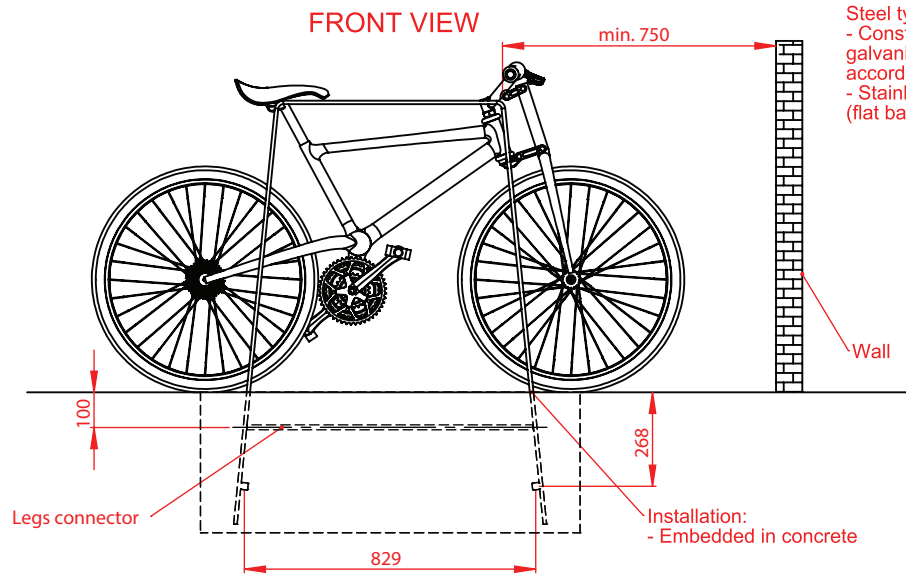
All street furniture must be properly anchored in accordance with the manufacturer's technical instructions. The manufacturer is not responsible for damage caused by negligent use or failure to follow the instructions.



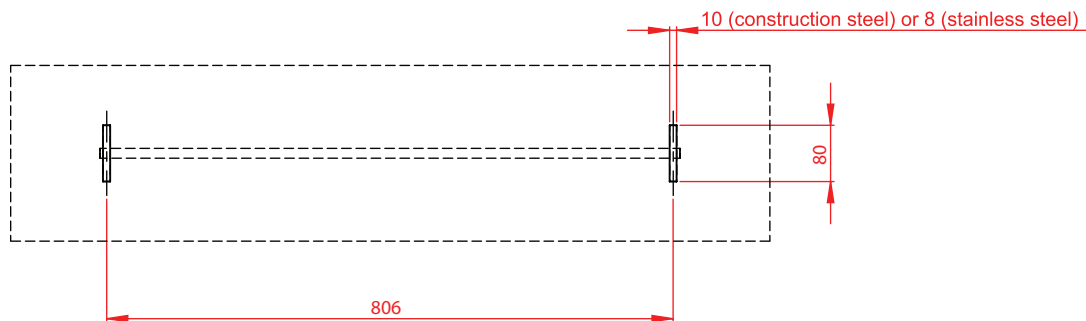
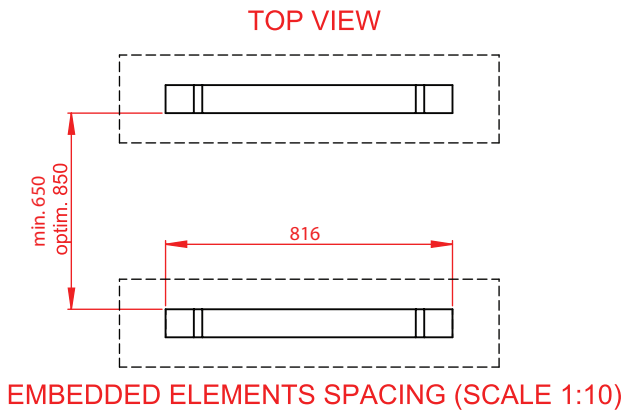
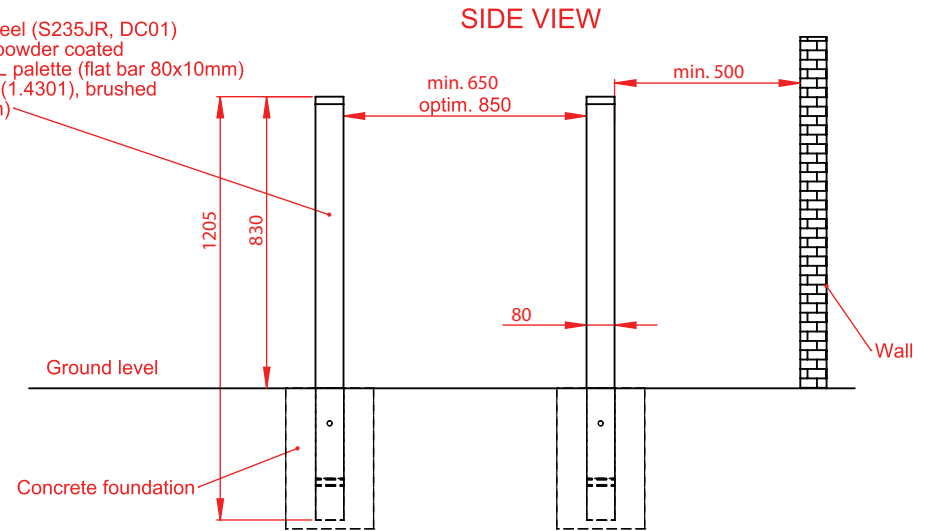
*M. Welmiński*

product:  
Flat bicycle rack 05.025  
version:  
designer: Mateusz Welmiński

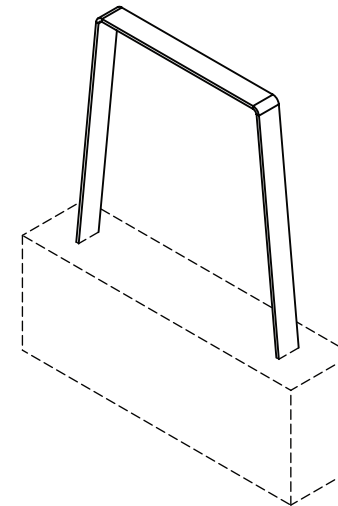




Steel types:  
 - Construction steel (S235JR, DC01) galvanized and powder coated according to RAL palette (flat bar 80x10mm)  
 - Stainless steel (1.4301), brushed (flat bar 80x8mm)



**ISOMETRIC VIEW**



Dimensions given in [mm]

Project and drawing content is intellectual property of ZANO Street Architecture company. The author of the project reserves all rights in accordance with the Directives (EU), 2019/790 of the European Parliament and of the Council of 17 April 2019 on copyright and related rights in the Digital Single Market, Directive 96/9/EC and 2001/29/EC. All rights reserved.



ul.Lindego 7a,  
30-148 Kraków

**Bicycle rack  
Flat 05.025**

Number:	060319-v1
Sheet:	A4
Scale:	1:20
Mass:	19 kg

