



## GENERAL TECHNICAL DATA

### dimensions:

- height: 100 cm
- width: 88 cm
- depth: 30 cm

**weight:** - 129 kg

**capacity:** - 3 x 30 L

**materials:** - stainless or carbon steel

## DESCRIPTION

Welded construction made of steel sheets 6 and 8 mm and 2 mm thick (front stainless steel sheets), of carbon steel s235Jr galvanised and powder-coated according to RAL palette or wholly made of ground stainless steel 1.4301. Bin equipped with three 0.8 mm thick galvanised steel containers.

All street furniture elements must be properly anchored according to the manufacturer's technical instructions. The manufacturer is not responsible for damage caused by negligent use or failure to follow the instructions.

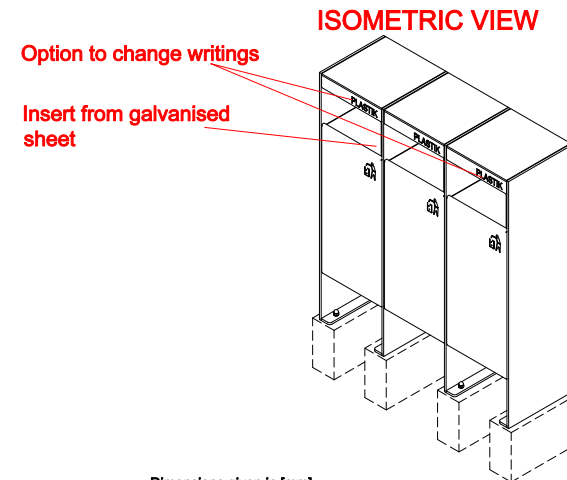
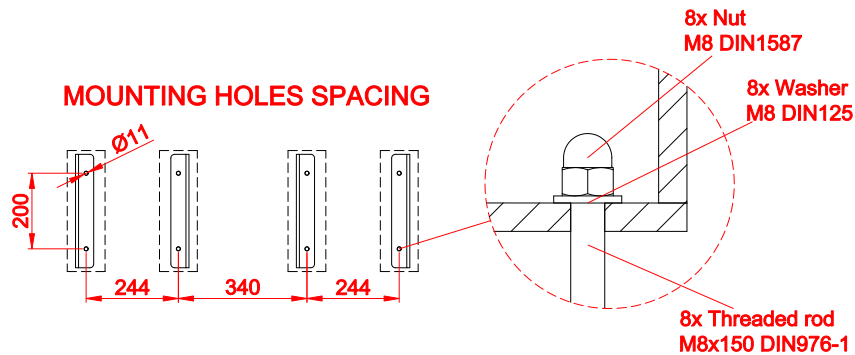
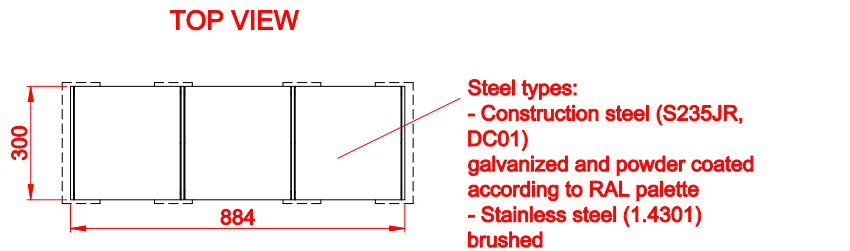
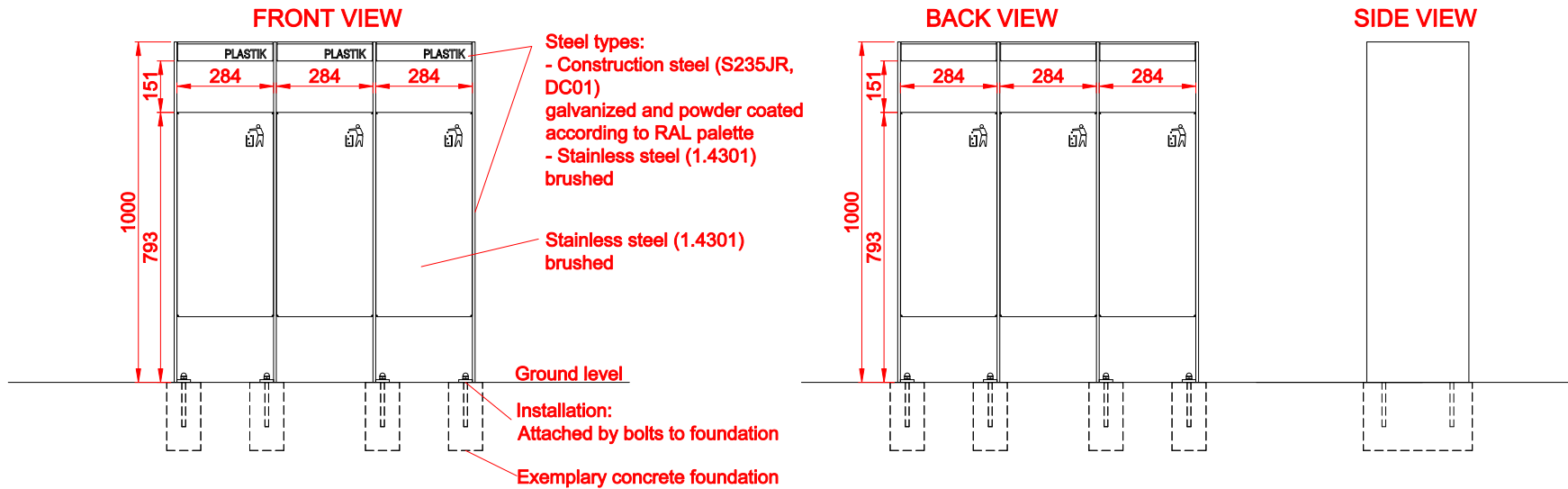
ZANO  
SINCE 1982




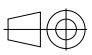
*M. Welmiński*

product:  
Recycling bin 15.061 Simple  
version: 1  
designer: Mateusz Welmiński

In accordance with the Polish Law on Copyright and Related Rights of 04.02.1994 (Official Journal of Laws No. 24, item 83, corrected: Journal of Laws No. 43, item 170) and in accordance with the EU copyright legislation including all EU directives and regulations on copyright, Zano Mirosław Zarotyński Company, reserves the copyright of drawings, descriptions, 3D models, renderings, graphics, content contained in offers, attachments to offers and all other documents. Its content is the intellectual property of ZANO Mirosław Zarotyński company. The use of author's ideas, solutions, copying, distribution of photos, graphics or fragments of graphics, descriptive texts, for profit, without the permission of the author - ZANO Mirosław Zarotyński company - is prohibited and constitutes a copyright infringement and is punishable.



Dimensions given in [mm]

<b>Simple recycling bin 15.061</b>		 ZANO Street Furniture Lindego 7A, 30-148 Cracow, Poland phone: +48 12 200 20 53 email: office@zano.pl	
In accordance with the Polish Law on Copyright and Related Rights of 04.02.1994 (Official Journal of Laws No. 24, Item 83, corrected; Journal of Laws No. 43, Item 170) and in accordance with the EU copyright legislation including all EU directives and regulations on copyright, Zano Miroslaw Zarotniak Company, reserves the copyright of drawings, descriptions, 3D models, renderings, graphics, content contained in offers, attachments to offers and all other documents. Its content is the intellectual property of ZANO Miroslaw Zarotniak company. The use of author's ideas, solutions, copying, distribution of photos, graphics or fragments of graphics, descriptive texts, for profit, without the permission of the author - ZANO Miroslaw Zarotniak company - is prohibited and constitutes a copyright infringement and is punishable.		Number: 221018-v1	
Sheet: A4	Scale: 1:20		
Mass: 129 kg			