



**GENERAL TECHNICAL DATA:**

**dimensions:**

- height: 82 cm
- width: 57 cm
- depth: 58 cm

**weight:**

**materials:**

- powder coated cast iron according to RAL palette
- stainless steel brushed
- softwood - lacquered or hardwood - oiled

**DESCRIPTION:**

Welded structure connected with wooden planks. Welded structure of steel plates with a thickness of 4 and 10 mm, made of carbon steel s235Jr galvanized and powder coated according to RAL palette or entirely of stainless steel 1.4301 ground. Seat as well as back of the bench using wooden planks - 3 planks of 90x38x550mm, 1 of 60x38x550 and 5 planks of 100x38x550mm. European coniferous wood impregnated and varnished twice or exotic wood impregnated and oiled twice. All street furniture elements must be properly anchored according to the manufacturer's technical instructions. The manufacturer is not liable for damage caused by negligent use or failure to follow instructions.



product:  
Rotary chair Soft 02.612  
designer: I. Żaczek

In accordance with the Polish Law on Copyright and Related Rights of 04.02.1994 (Official Journal of Laws No. 24, item 83, corrected: Journal of Laws No. 43, item 170) and in accordance with the EU copyright legislation including all EU directives and regulations on copyright, Zano Miroslaw Zarotyński Company, reserves the copyright of drawings, descriptions, 3D models, renderings, graphics, content contained in offers, attachments to offers and all other documents. Its content is the intellectual property of ZANO Miroslaw Zarotyński company. The use of author's ideas, solutions, copying, distribution of photos, graphics or fragments of graphics, descriptive texts, for profit, without the permission of the author - ZANO Miroslaw Zarotyński company - is prohibited and constitutes a copyright infringement and is punishable.

Ø1873

safe zone

576

573

Ø873

500

FRONT VIEW

wall

Ground level

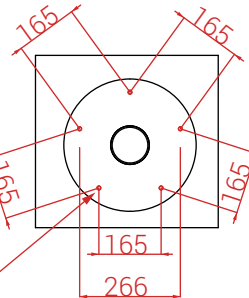
824

445

400

480

MOUNTING HOLES SPACING

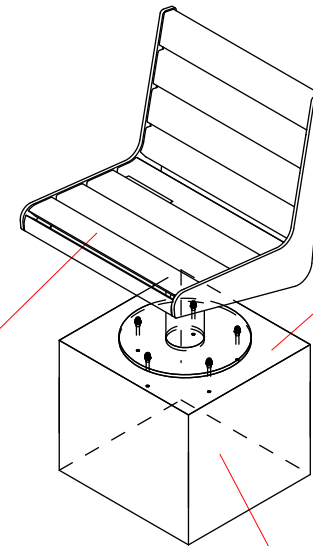


Ø10

Wood types:

- Softwood, lacquered
- Hardwood, oiled

ISOMETRIC VIEW



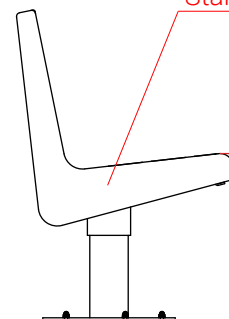
Exemplary concrete foundation

Installation:  
Attached by bolts to foundation

Steel types:

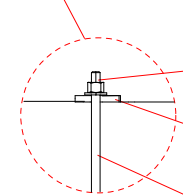
- Construction steel (S235JR, DC01) galvanized and powder coated according to RAL palette
- Stainless steel (1.4301) brushed

SIDE VIEW



445

480


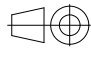


5 x Nut M8  
DIN1587

5 x Washer  
M8 DIN 125

5x Threaded rod  
M8 x125 DIN 976-1

Dimensions give in [mm]

Rotary chair Soft 02.612		 <b>ZANO Street Furniture</b> Lindego 7A, 30-148 Cracow, Poland phone: +48 12 200 20 53 email: office@zano.pl	
<small>In accordance with the Polish Law on Copyright and Related Rights of 04.02.1994 (Official Journal of Laws No. 24, item 83, corrected: Journal of Laws No. 43, item 170) and in accordance with the EU copyright legislation including all EU directives and regulations on copyright, Zano Mirosław Zarotyński Company, reserves the copyright of drawings, descriptions, 3D models, renderings, graphics, content contained in offers, attachments to offers and all other documents. Its content is the intellectual property of ZANO Mirosław Zarotyński company. The use of author's ideas, solutions, copying, distribution of photos, graphics or fragments of graphics, descriptive texts, for profit, without the permission of the author - ZANO Mirosław Zarotyński company - is prohibited and constitutes a copyright infringement and is punishable.</small>		Number:	091222-V1
Sheet:	A4		
Scale:	1:20		
Mass:	kg		