

GENERAL TECHNICAL DATA

dimensions:

- height: 39 3/8 inches
- width: 34 13/16 inches
- depth: 11 13/16 inches

weight: - 284 lb

capacity: - 3 x 7,9 US gallons

materials: - stainless or carbon steel

DESCRIPTION

Welded structure made of $0^{15/64}$ ", $0^{5/16}$ " and $0^{5/64}$ " thick steel sheets (front panels made of stainless steel), made of carbon steel ASTM A36, galvanized and powder-coated to RAL colour, or entirely of stainless steel AISI 304SS ground. The bin is equipped with two $0^{1/32}$ " thick galvanized steel containers. The bin is emptied by lifting the roof.

All items of street furniture must be properly anchored in accordance with the manufacturer's technical instructions. The manufacturer is not liable for damage caused by negligent use or failure to follow instructions.

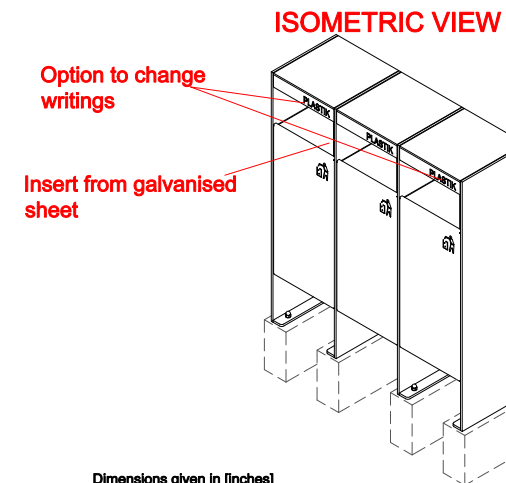
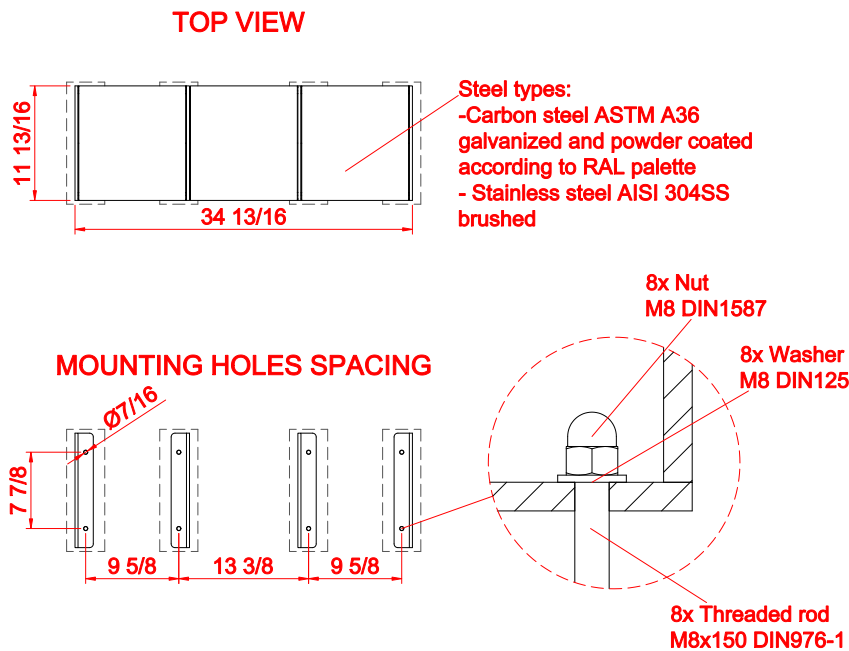
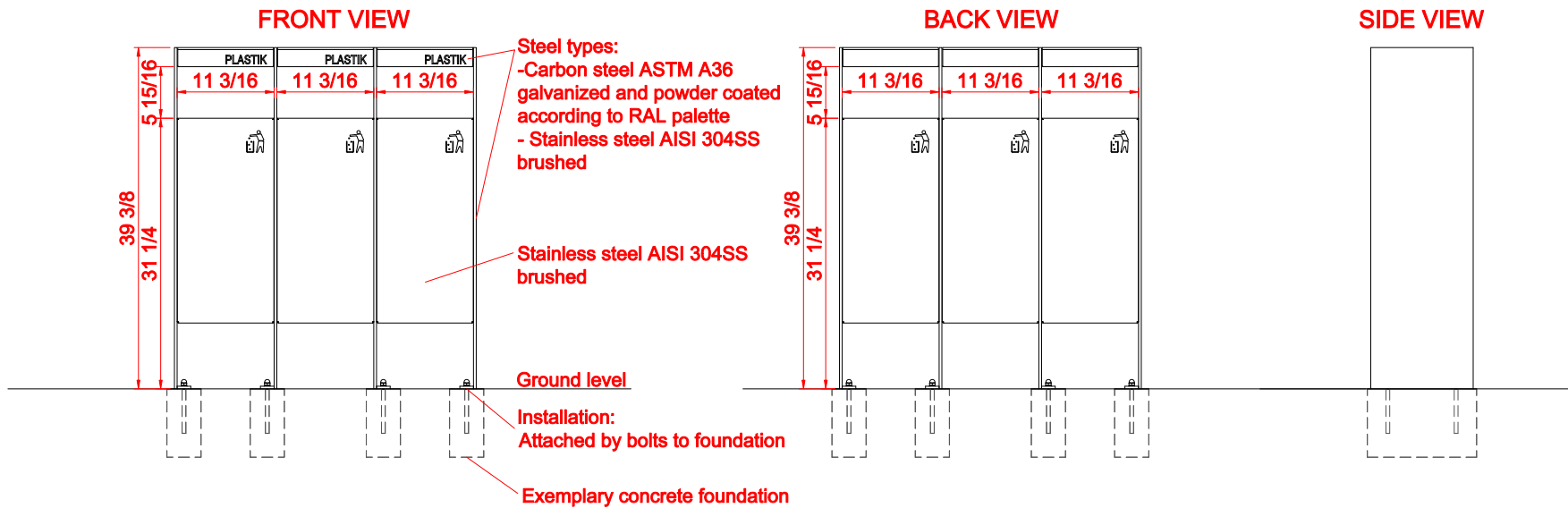
ZANO
SINCE 1998



M. Welmiński

product:
Recycling bin 15.061 Simple
version: 1
designer: Mateusz Welmiński

In accordance with the Polish Law on Copyright and Related Rights of 04.02.1994 (Official Journal of Laws No. 24, item 83, corrected: Journal of Laws No. 43, item 170) and in accordance with the EU copyright legislation including all EU directives and regulations on copyright, Zano Miroslaw Zarotyński Company, reserves the copyright of drawings, descriptions, 3D models, renderings, graphics, content contained in offers, attachments to offers and all other documents. Its content is the intellectual property of ZANO Miroslaw Zarotyński company. The use of author's ideas, solutions, copying, distribution of photos, graphics or fragments of graphics, descriptive texts, for profit, without the permission of the author - ZANO Miroslaw Zarotyński company - is prohibited and constitutes a copyright infringement and is punishable.



Dimensions given in [Inches]

Recycling bin Simple 15.061

In accordance with the Polish Law on Copyright and Related Rights of 04.02.1994 (Official Journal of Laws No. 24, item 83, corrected: Journal of Laws No. 43, item 170) and in accordance with the EU copyright legislation including all EU directives and regulations on copyright, Zano Miroslaw Zarotyński Company, reserves the copyright of drawings, descriptions, 3D models, renderings, graphics, content contained in offers, attachments to offers and all other documents. Its content is the intellectual property of ZANO Miroslaw Zarotyński company. The use of author's ideas, solutions, copying, distribution of photos, graphics or fragments of graphics, descriptive texts, for profit, without the permission of the author - ZANO Miroslaw Zarotyński company - is prohibited and constitutes a copyright infringement and is punishable.

	ZANO Street Furniture Lindego 7A, 30-148 Cracow, Poland phone: +48 12 200 20 53 email: office@zano.pl	
	Number: 221018-v1	
Sheet: A4	Scale: 1:20	
Mass: 284 lb		