



GENERAL TECHNICAL DATA

dimensions:

- depth: 32 cm
- height: 117 cm
- width: 218 cm

weight: 58 kg

materials:

- steel: construction or stainless

DESCRIPTION

Elegant bikers rest Pauza would be a great solution that makes cycling easier in the crossing areas. It will also enable waiting for the green light in a comfortable position, without need to get off the bicycle. Presented bikers rest is built from flat bars and it consists of two parts. On the higher one cyclist can rest their hand, and on the lower – leg. The station is installed using concrete foundation or dowels.



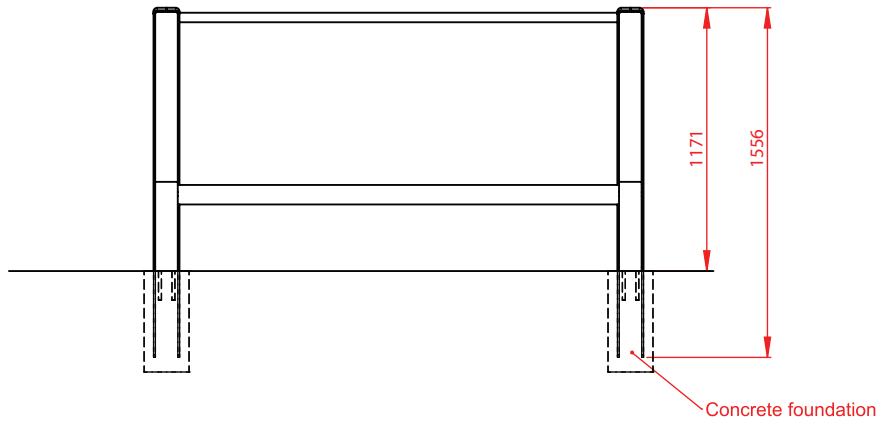
ZANO
SINCE 1998



product:
PAUZA bikers rest 18.001
version:
designer: Filip Babiarz

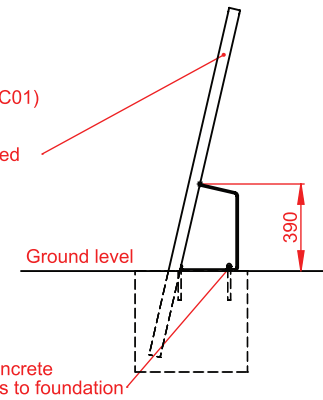
The design and content of the drawing is the intellectual property of ZANO Miroslaw Zarotyński. The author of the design in accordance with the Act on Copyright and Related Rights of 04.02.1994. (Journal of Laws 2006 No. 90 item 631 with later changes) reserves the copyright. All rights reserved.

FRONT VIEW

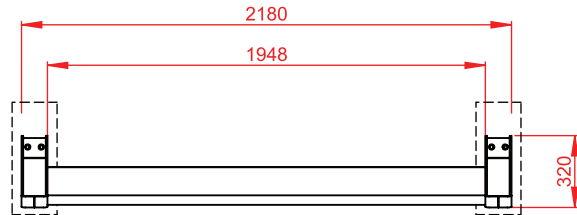


SIDE VIEW

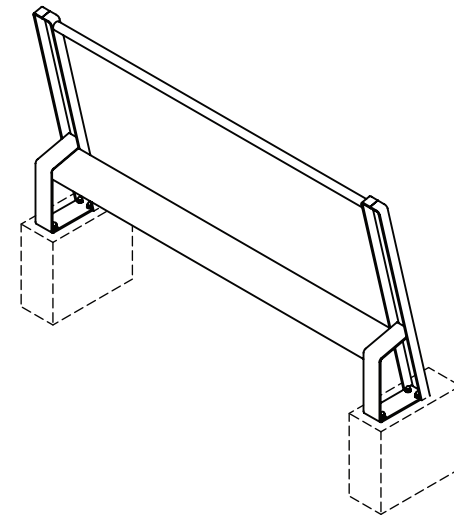
Steel types:
 - Construction steel (S235JR, DC01) galvanized and powder coated according to RAL palette
 - Stainless steel (1.4301), brushed



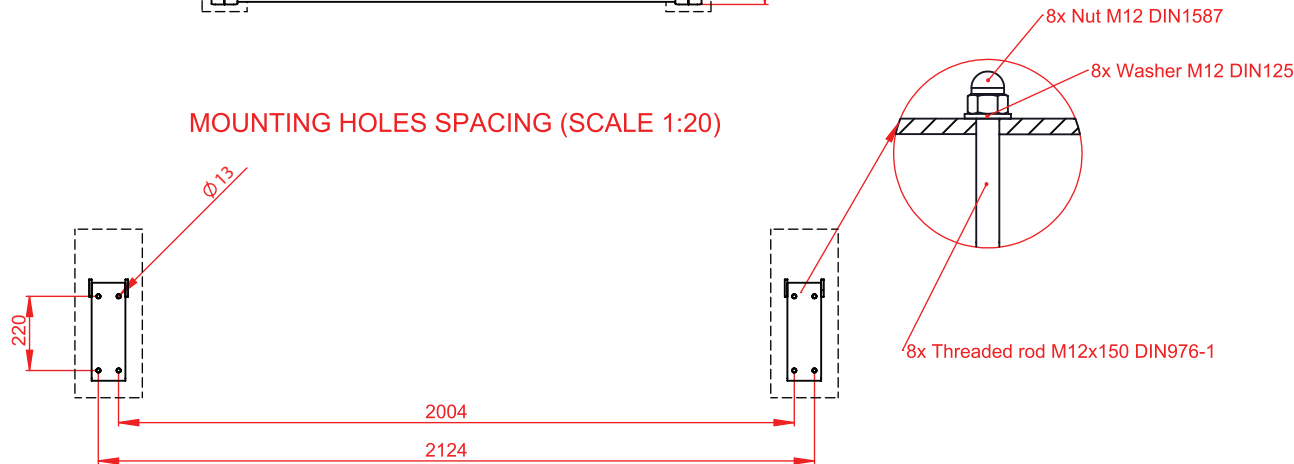
TOP VIEW



ISOMETRIC VIEW (SCALE 1:30)



MOUNTING HOLES SPACING (SCALE 1:20)



Dimensions given in [mm]

Project and drawing content is intellectual property of ZANO Street Architecture company. The author of the project reserves all rights in accordance with the Directives (EU); 2019/790 of the European Parliament and of the Council of 17 April 2019 on copyright and related rights in the Digital Single Market, Directive 96/9/EC and 2001/29/EC. All rights reserved.



ul.Lindego 7a,
30-148 Kraków

**Bikers rest
Pauza 18.001**

Number:	110516-v1
Sheet:	A4
Scale:	1:30
Mass:	58 kg

