

OGÓLNE DANE TECHNICZNE

dimensions:

- height: 132 cm
- width: 26 cm
- depth: 101 cm

weight:

- 30 kg

materials:

- carbon steel with stainless steel components or entirely in stainless steel

DESCRIPTION:

The bicycle repair station is designed for ad hoc repairs and adjustments of bicycles by the user himself using the construction of the device as the base and tools included in the equipment of the repair station. The bolted construction is made of steel sheets 2, 4 and 6 mm thick, of carbon steel s235Jr galvanised and powder-coated according to RAL palette or entirely of stainless steel 1.4301 ground. The station is equipped with a bicycle rack made of two stainless steel bars with dimensions of 3 x 67 x 300 mm. The tools section and all fastening elements (cords) that are part of the station are made of stainless steel.

All items of street furniture shall be properly anchored according to the manufacturer's technical instructions. The manufacturer is not liable for damage caused by negligent use or failure to follow instructions.

ZANO
SINCE 1988



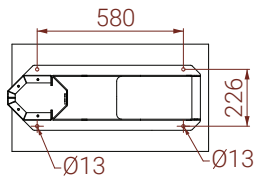
product: stacja naprawcza
STILO 18.048.1

version: 01

designer: Iwona Żaczek

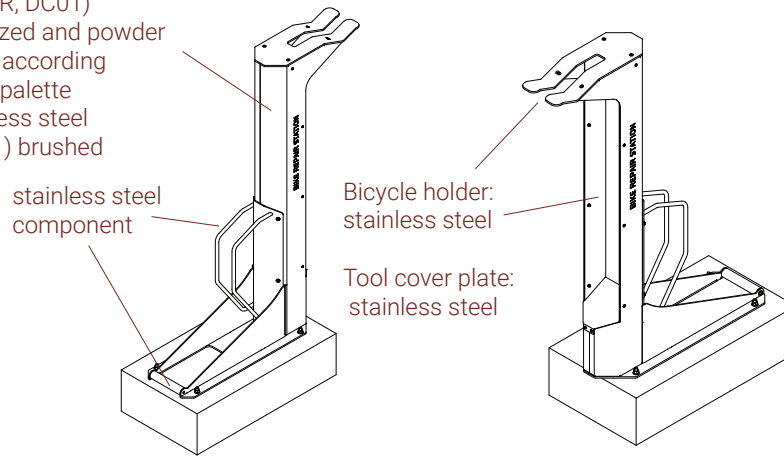
In accordance with the Polish Law on Copyright and Related Rights of 04.02.1994 (Official Journal of Laws No. 24, item 83, corrected: Journal of Laws No. 43, item 170.) and in accordance with the EU copyright legislation including all EU directives and regulations on copyright, Zano Mirosław Zarotyński Company, reserves the copyright of this drawing, description. Its content is the intellectual property of ZANO Mirosław Zarotyński company. The use of author's ideas, solutions, copying, distribution of photos, graphics or fragments of graphics, descriptive texts, for profit, without the permission of the author - ZANO Mirosław Zarotyński company - is prohibited and constitutes a copyright infringement and is punishable.

MOUNTING HOLES SPACING



Variantes d'acier:
 - Construction steel (S235JR, DC01) galvanized and powder coated according to RAL palette
 - Stainless steel (1.4301) brushed

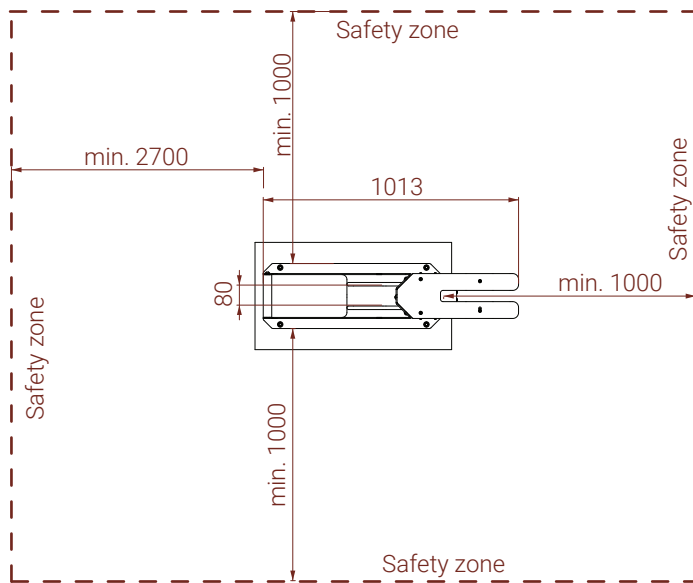
ISOMETRIC VIEW



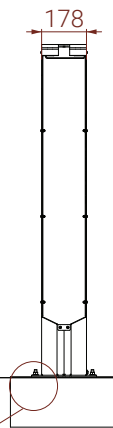
TOOLS:

- screwdriver; cross and flat steel stainless steel
- spanners; stainless steel; 13, 14, 15, 16 mm
- Allen spanners; stainless steel; 2, 3, 4, 5, 6, 8 mm
- hand pump; compatible compatible with Presta and Schreder valves
- chain stripper; 9, 10, 11 gears (Supports Shimano 11-speed SPD, does not support Campagnolo chains 11-speed!); stainless steel
- spoke (nipple) spanner; Mavic MTB, 3.22, 3.45 and CNSPOKE spanner (3.2-3.3-3.4 mm) in stainless steel
- T 25 star spanner; of stainless steel stainless steel
- 8 mm disc brake wedge stainless steel bottle opener
- tyre buckets; suitable for removal of tubeless tyres and high-strength plastic wire tyres strength

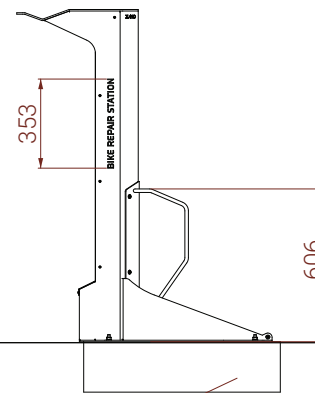
TOP VIEW



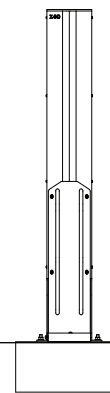
FRONT VIEW



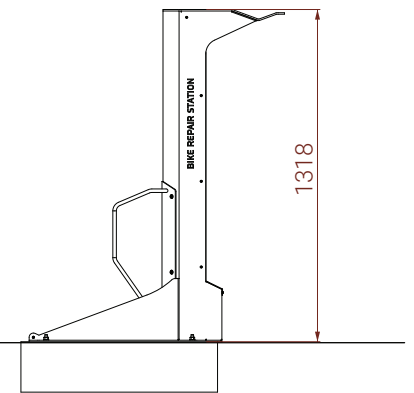
SIDE VIEW



BACK VIEW



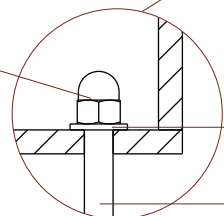
SIDE VIEW



Ground level

Dimensions given in [mm]

4 x nut
M10 Din1587



Installation:
Attached by bolts to foundation

4 x washer
M10 Din125

4 x threaded rod
M10 x120 DIN 976-1

Exemplary
concrete foundation

Stilo bicycle repair station
18.048.1

In accordance with the Polish Law on Copyright and Related Rights of 04.02.1994 (Official Journal of Laws No. 24, item 83, corrected; Journal of Laws No. 43, item 170.) and in accordance with the EU copyright legislation including all EU directives and regulations on copyright, Zano Miroslaw Zarotyrski Company, reserves the copyright of this drawing, description. Its content is the intellectual property of ZANO Miroslaw Zarotyrski company. The use of author's ideas, solutions, copying, distribution of photos, graphics or fragments of graphics, descriptive texts, for profit, without the permission of the author - ZANO Miroslaw Zarotyrski company - is prohibited and constitutes a copyright infringement and is punishable.

ZANO Miroslaw Zarotyrski
ul. Lindego 7a,
30-148 Kraków

tel. 12 636 89 25
tel. 12 636 90 27
e-mail: biuro@zano.pl

numery seryjny: 250724-v1

arkusz:	A4	
skala:	1:30	
waga:	30 kg	