



## GENERAL TECHNICAL DATA

### dimensions:

- height: 32 1/16 inches
- seat height: 17 11/16 inches
- width: 60 13/16 inches
- depth: 20 1/4 inches

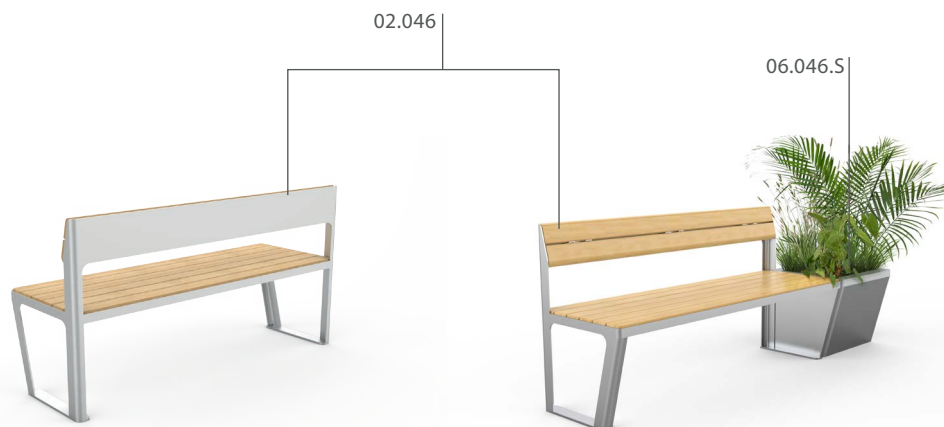
- weight:**
- using softwood 50 lb
  - using hardwood 67 lb

- materials:**
- stainless or carbon steel
  - softwood or hardwood

## DESCRIPTION

Welded construction combined with wooden planks. Welded construction of steel sheets, 0<sup>13/64</sup>" and 0<sup>25/64</sup>" thick, from carbon steel ASTM A36 galvanised and powder coated in accordance with RAL palette or entirely from stainless steel AISI 304SS polished. Seat and back of the bench with wooden planks. Seat with 6 wooden planks, measuring 1<sup>1/2</sup>" x 3<sup>5/32</sup>" x 60<sup>15/64</sup>". On the back 2 wooden planks with dimensions of 0<sup>5/16</sup>" x 1<sup>1/2</sup>" x 60<sup>15/64</sup>". Softwood impregnated and varnished twice or hardwood impregnated and oiled twice.

All street furniture elements must be properly anchored according to the manufacturer's technical instructions. The manufacturer is not liable for damage caused by negligent use or failure to follow instructions.



ZANO  
SINCE 1992

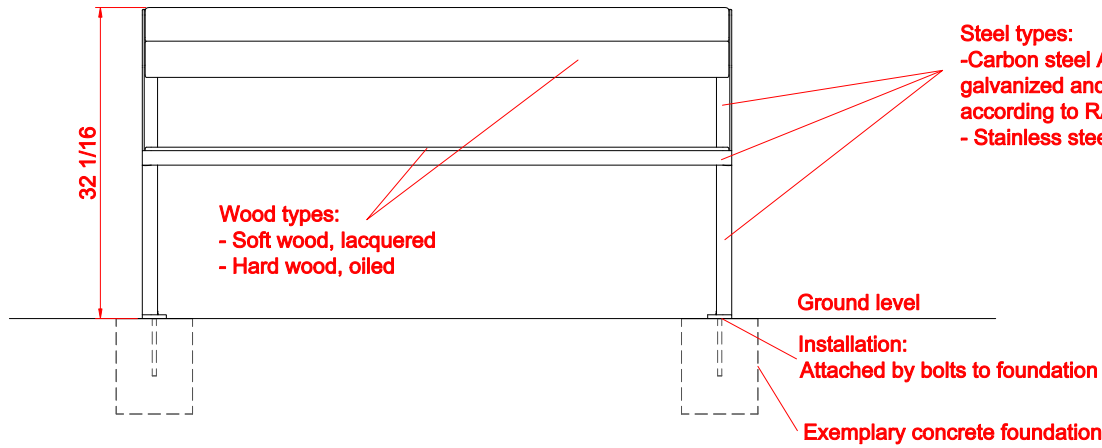


*Iwona Pieczara*

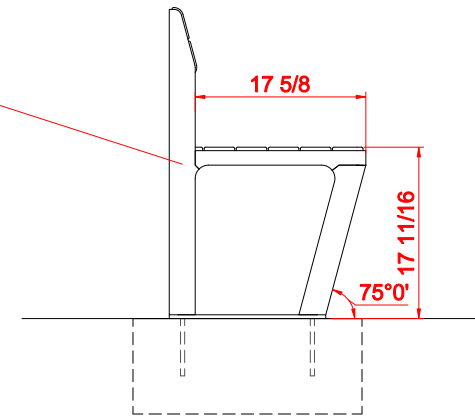
product:  
Scandik bench 02.046  
version: 1  
designer: Iwona Pieczara

In accordance with the Polish Law on Copyright and Related Rights of 04.02.1994 (Official Journal of Laws No. 24, item 83, corrected: Journal of Laws No. 43, item 170) and in accordance with the EU copyright legislation including all EU directives and regulations on copyright, Zano Miroslaw Zarotyński Company, reserves the copyright of drawings, descriptions, 3D models, renderings, graphics, content contained in offers, attachments to offers and all other documents. Its content is the intellectual property of ZANO Miroslaw Zarotinski company. The use of author's ideas, solutions, copying, distribution of photos, graphics or fragments of graphics, descriptive texts, for profit, without the permission of the author - ZANO Miroslaw Zarotyński company - is prohibited and constitutes a copyright infringement and is punishable.

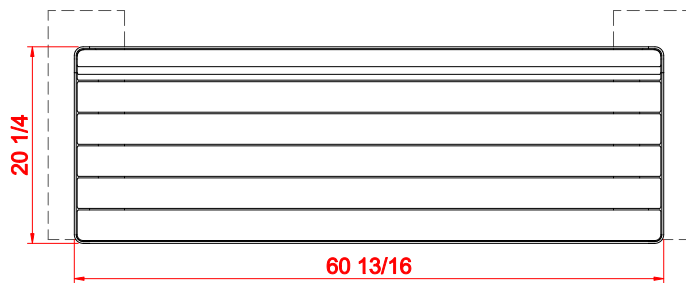
FRONT VIEW



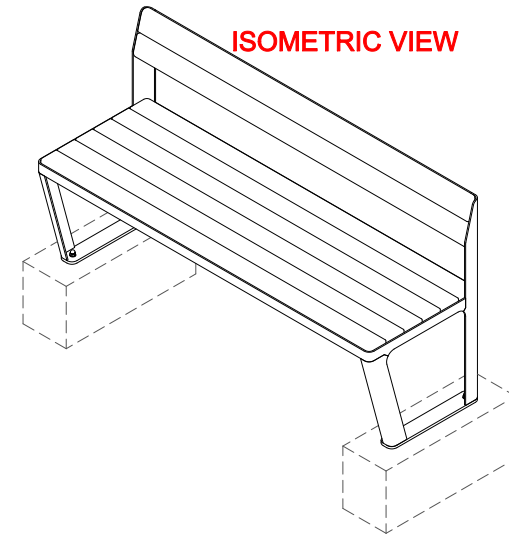
SIDE VIEW



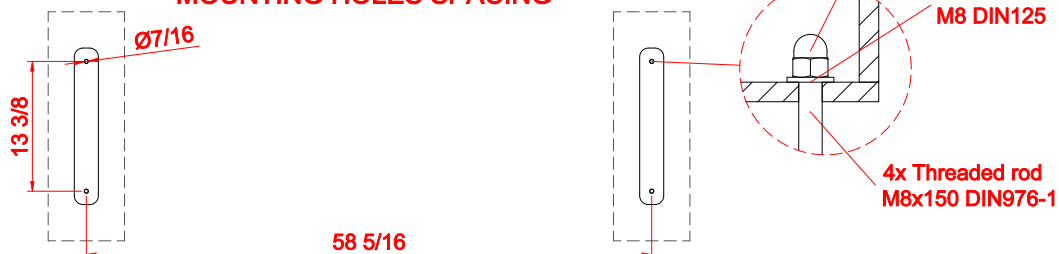
TOP VIEW




ISOMETRIC VIEW



MOUNTING HOLES SPACING



Dimensions given in [Inches]

|  |                |  |
|--|----------------|--|
| <b>Scandik Bench 02.046</b>  |                |  <p>ZANO Street Furniture<br/>Lindego 7A, 30-148<br/>Cracow, Poland<br/>phone: +48 12 200 20 53<br/>email: office@zano.pl</p> |
| <p>In accordance with the Polish Law on Copyright and Related Rights of 04.02.1994 (Official Journal of Laws No. 24, item 83, corrected: Journal of Laws No. 43, item 170) and in accordance with the EU copyright legislation including all EU directives and regulations on copyright, Zano Miroslaw Zarotynski Company, reserves the copyright of drawings, descriptions, 3D models, renderings, graphics, content contained in offers, attachments to offers and all other documents. Its content is the intellectual property of ZANO Miroslaw Zarotynski company. The use of author's ideas, solutions, copying, distribution of photos, graphics or fragments of graphics, descriptive texts, for profit, without the permission of the author - ZANO Miroslaw Zarotynski company - is prohibited and constitutes a copyright infringement and is punishable.</p> |                |  |
| Number:  | 270220-v1      |  |
| Sheet:   | A4             |  |
| Scale:   | 1:20           |  |
| Mass:  | with soft wood | 50 lb  |
|  | with hard wood | 67 lb  |