



GENERAL TECHNICAL DATA:

dimensions:

- height: 95 cm
- depth: 57 cm
- width: 183 cm

weight:

- using softwood 95 kg
- using hardwood 117 kg

materials:

- stainless or carbon steel
- hardwood or softwood

DESCRIPTION:

Welded structure with bent and bolted elements made of steel sheets of: 2, 4 and 10 mm, in carbon steel s235Jr galvanised and powder coated according to RAL palette all in stainless steel 1.4301 ground. Seat and back of bench using 10 wooden planks of 85 x 38 mm section and 2-ch planks of 85 x 130 mm section and 1800 mm length. Softwood impregnated and varnished twice or hardwood impregnated and oiled twice. The bench is equipped with 3 USB A quick charge ports (3 x USB 3.0).

All street furniture must be properly anchored according to the manufacturer's technical instructions. The manufacturer shall not be liable for damage caused by negligent use or failure to follow the instructions.

ZANO
SINCE 1988



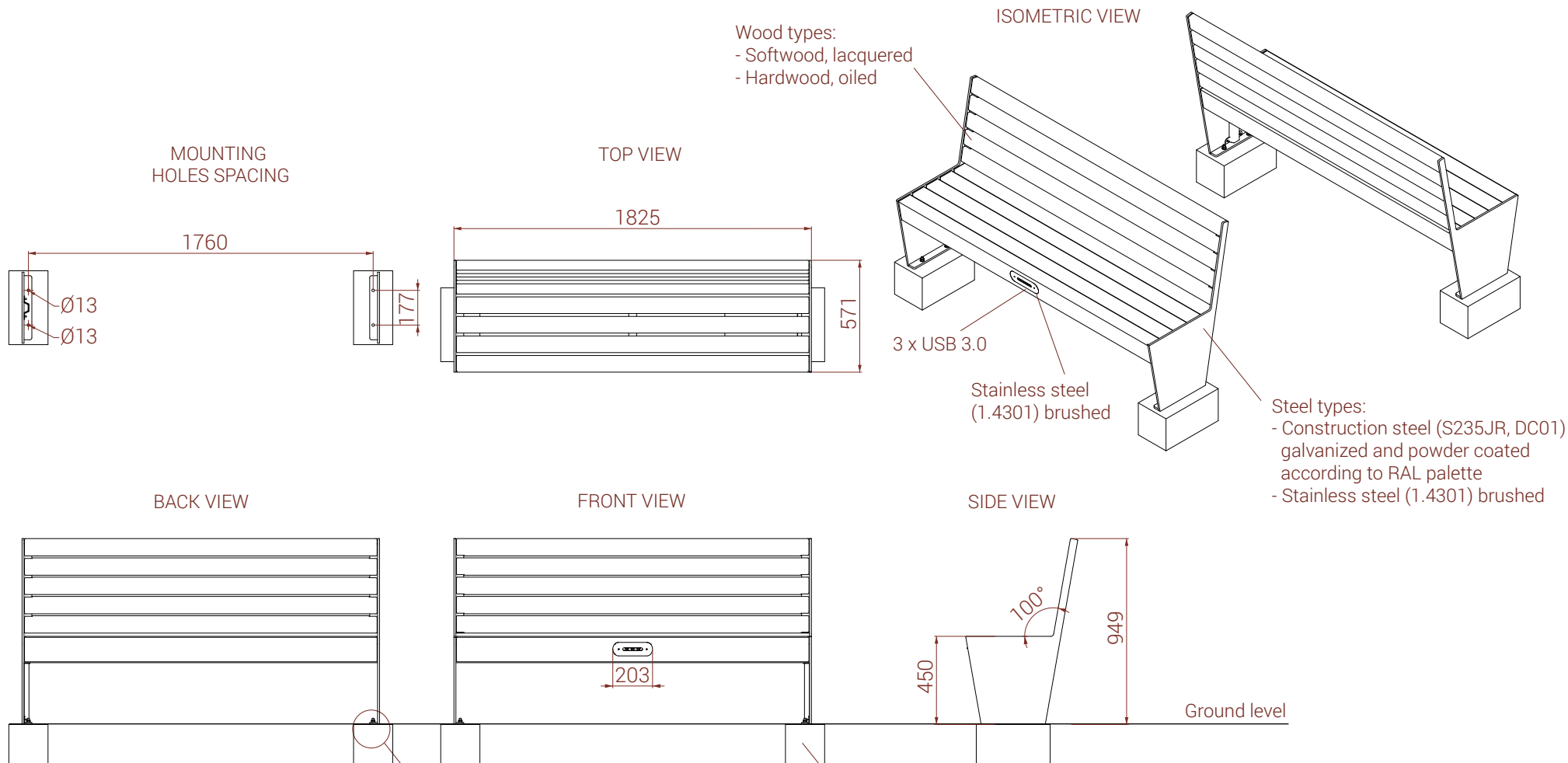
Iwona Żaczek

product: Simple Bench

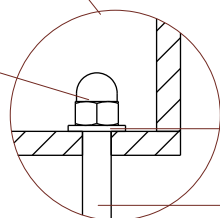
02.024.2

designer: Iwona Żaczek

In accordance with the Polish Law on Copyright and Related Rights of 04.02.1994 (Official Journal of Laws No. 24, item 83, corrected: Journal of Laws No. 43, item 170) and in accordance with the EU copyright legislation including all EU directives and regulations on copyright, Zano Miroslaw Zarotyński Company, reserves the copyright of drawings, descriptions, 3D models, renderings, graphics, content contained in orders, attachments to orders and all other documents. Its content is the intellectual property of ZANO Miroslaw Zarotyński company. The use of author's ideas, solutions, copying, distribution of photos, graphics or fragments of graphics, descriptive texts, for profit, without the permission of the author - ZANO Miroslaw Zarotyński company - is prohibited and constitutes a copyright infringement and is punishable.



4 x nut
M10 Din1587



Installation:
Attached by bolts
to foundation

4 x washer
M10 Din125

4 x threaded rod
M10 x120 DIN 976-1

Exemplary
concrete
foundation

Dimensions given in [mm]

Simple Bench 02.024.2		ZANO Street Furniture Lindego 7A, 30-148 Cracow, Poland phone: +48 12 200 20 53 email: office@zano.pl	
In accordance with the Polish Law on Copyright and Related Rights of 04.02.1994 (Official Journal of Laws No. 24, item 83, corrected: Journal of Laws No. 43, item 170) and in accordance with the EU copyright legislation including all EU directives and regulations on copyright, Zano Miroslaw Zarotyński Company, reserves the copyright of drawings, descriptions, 3D models, renderings, graphics, content contained in offers, attachments to offers and all other documents. Its content is the intellectual property of ZANO Miroslaw Zarotyński company. The use of author's ideas, solutions, copying, distribution of photos, graphics or fragments of graphics, descriptive texts, for profit, without the permission of the author - ZANO Miroslaw Zarotyński company - is prohibited and constitutes a copyright infringement and is punishable.		Number:	310724-v1
Sheet:	A4		
Scale:	1:30		
Mass:	with soft wood: 95 kg with hard wood: 117 kg		