

GENERAL TECHNICAL DATA**dimensions:**

- depth: 84 cm
- height: 74 cm
- width: 180 cm

weight: 115 kg

*weight when using exotic wood

materials:

- steel: construction or stainless
- wood: domestic coniferous or exotic

**DESCRIPTION**

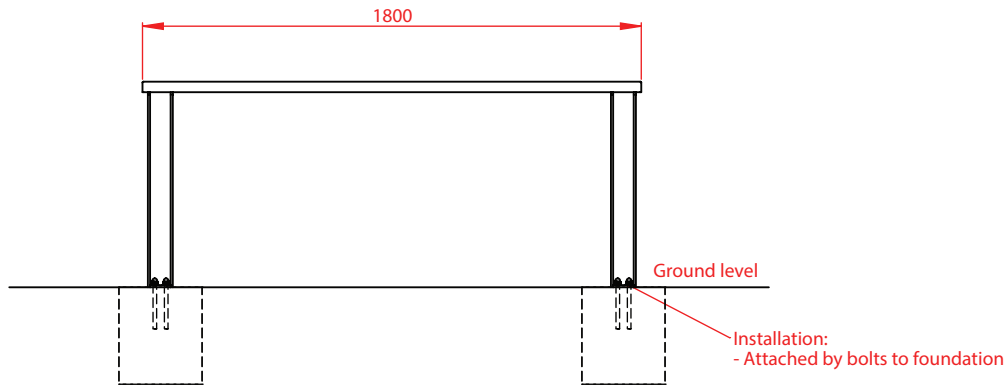
Tristad 13.022 is a charming, modern outdoor dining, picnic or worktable, created with contemporary design, that combines a stainless steel frame with rich softwood slats. This amazing outdoor table paired with original benches will create a comfortable outdoor dining and relaxing areas. It will be a perfect complement to every architecture and the surrounding landscape.

ZANO
SINCE 1998*M. Welmiński*product:
TRISTAD table 13.022

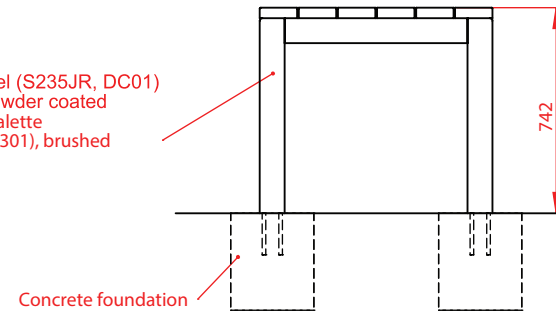
version:

designer: Mateusz Welmiński

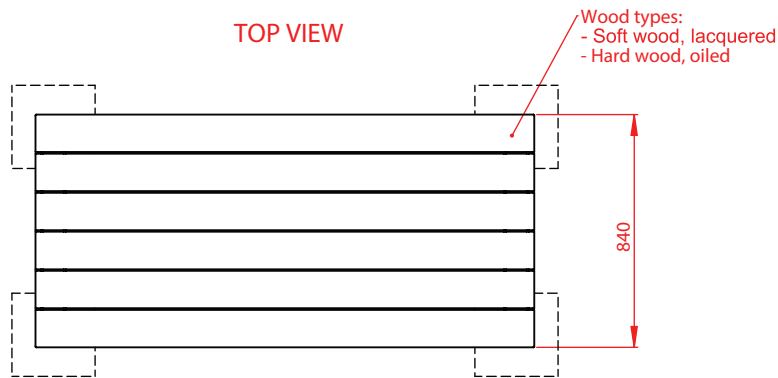
FRONT VIEW



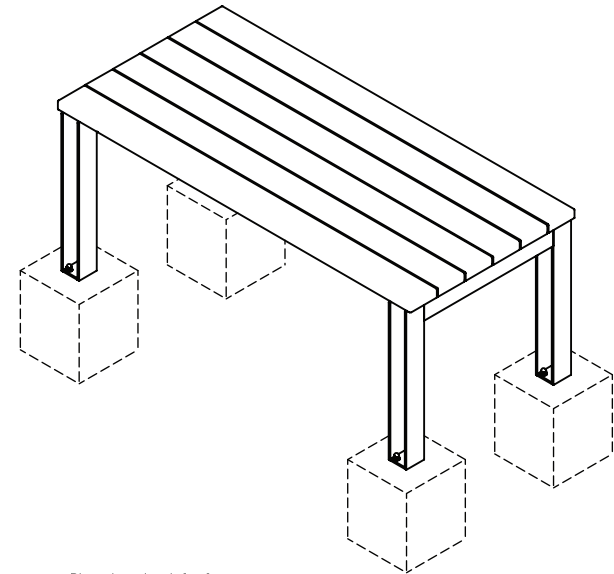
SIDE VIEW



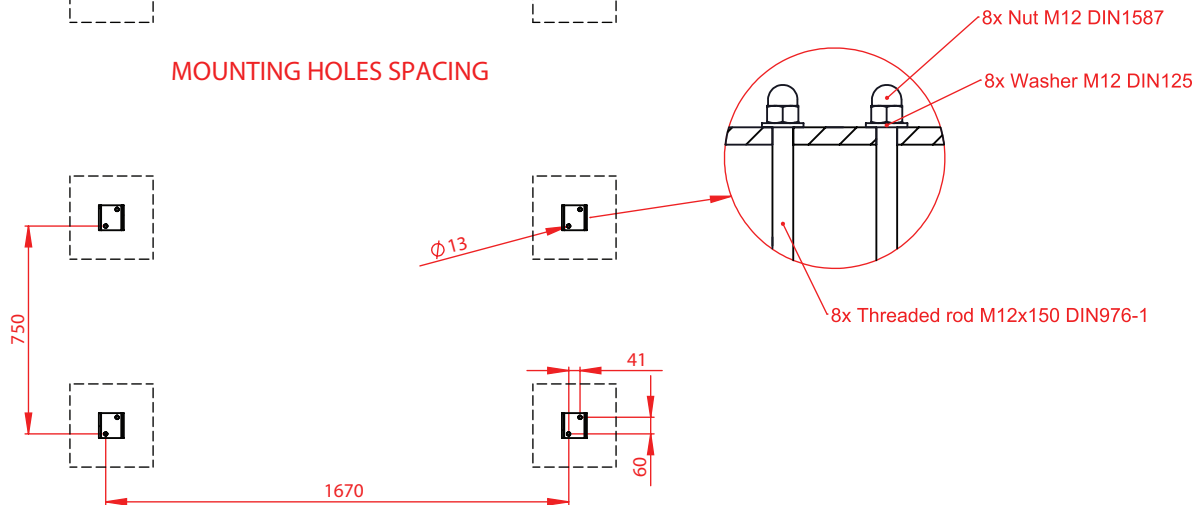
TOP VIEW



ISOMETRIC VIEW (SCALE 1:25)



MOUNTING HOLES SPACING



Dimensions given in [mm]

Project and drawing content is intellectual property of ZANO Street Architecture company. The author of the project reserves all rights in accordance with the Directives (EU): 2019/790 of the European Parliament and of the Council of 17 April 2019 on copyright and related rights in the Digital Single Market, Directive 96/9/EC and 2001/29/EC. All rights reserved.



ul.Lindegó 7a,
30-148 Kraków

Table
Tristad 13.022

Number:	250918-v2	
Sheet:	A4	
Scale:	1:25	
Mass:	with soft wood	90 kg
	with hard wood	115 kg