

GENERAL TECHNICAL DATA

dimensions:

- height: 16 3/4 inches
- width: 35 7/16 inches
- depth: 35 7/16 inches

- weight:**
- using softwood 116 lb
 - using hardwood 127 lb

- materials:**
- stainless or carbon steel
 - softwood or hardwood

DESCRIPTION

Welded structure combined with wooden planks. Welded 0 1/8" thick steel sheet structure made of carbon steel ASTM A36, galvanized and powder coated in accordance with RAL palette, or entirely of stainless steel AISI 304SS ground.

The bench seat is made of 19 wooden planks with a rectangular cross-section of 1 1/2" x 3 5/32" and varying in length from 11 7/32" to 25 13/64". One board has dimensions of 1 1/2" x 4 1/64" x 5 9/32". European coniferous wood impregnated and varnished twice or exotic wood impregnated and oiled twice.

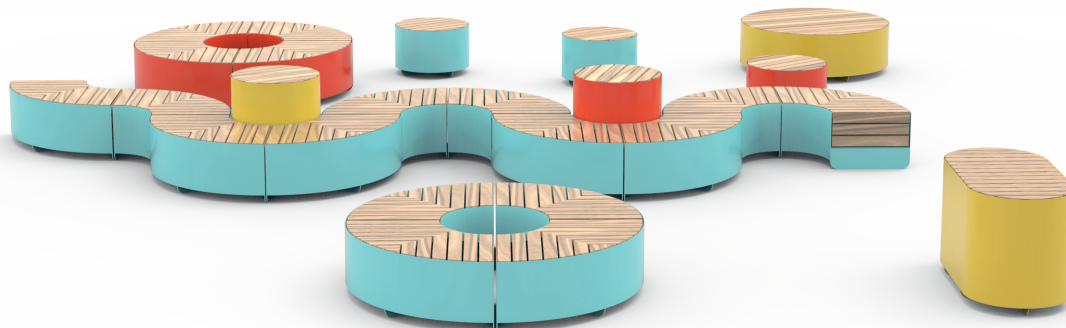
All items of street furniture must be properly anchored according to the manufacturer's technical instructions. The manufacturer is not liable for damage caused by negligent use or failure to follow instructions.

ZANO
SINCE 1998



Filip Babiarz

product:
bench UNIVERSE 02.455.3
version: 1
designer: Filip Babiarz



In accordance with the Polish Law on Copyright and Related Rights of 04.02.1994 (Official Journal of Laws No. 24, item 83, corrected: Journal of Laws No. 43, item 170) and in accordance with the EU copyright legislation including all EU directives and regulations on copyright, Zano Mirosław Zarotyński Company, reserves the copyright of drawings, descriptions, 3D models, renderings, graphics, content contained in offers, attachments to offers and all other documents. Its content is the intellectual property of ZANO Mirosław Zarotyński company. The use of author's ideas, solutions, copying, distribution of photos, graphics or fragments of graphics, descriptive texts, for profit, without the permission of the author - ZANO Mirosław Zarotyński company - is prohibited and constitutes a copyright infringement and is punishable.

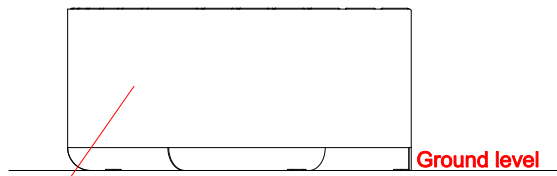
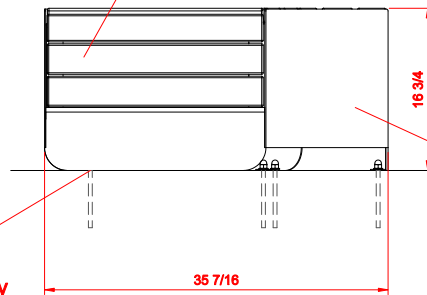
FRONT VIEW

SIDE VIEW

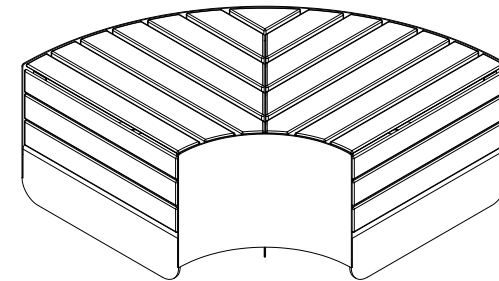
ISOMETRIC VIEW

Wood types:
 - Soft wood, lacquered
 - Hard wood, oiled

Installation:
 - Attached by bolts to foundation

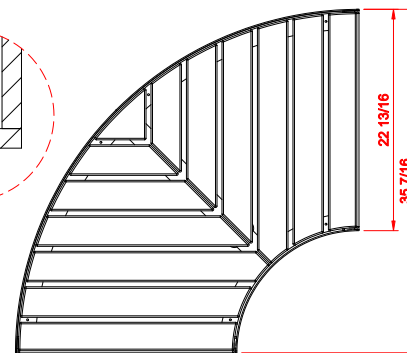
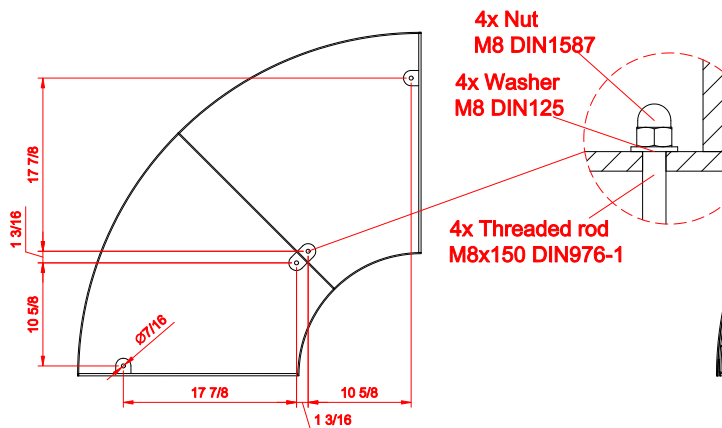


Steel types:
 - Carbon steel ASTM A36 galvanized and powder coated according to RAL palette
 - Stainless steel AISI 304SS brushed



MOUNTING HOLES SPACING

TOP VIEW



Dimensions given in [inches]

Universe bench
 02.455.3



ZANO Street Furniture
 Lindego 7A, 30-148
 Cracow, Poland

phone: +48 12 200 20 53
 email: office@zano.pl

In accordance with the Polish Law on Copyright and Related Rights of 04.02.1994 (Official Journal of Laws No. 24, Item 83, corrected: Journal of Laws No. 43, Item 170) and in accordance with the EU copyright legislation including all EU directives and regulations on copyright, Zano Miroslaw Zarotyński Company, reserves the copyright of drawings, descriptions, 3D models, renderings, graphics, content contained in offers, attachments to offers and all other documents. Its content is the intellectual property of ZANO Miroslaw Zarotyński company. The use of author's ideas, solutions, copying, distribution of photos, graphics or fragments of graphics, descriptive texts, for profit, without the permission of the author - ZANO Miroslaw Zarotyński company - is prohibited and constitutes a copyright infringement and is punishable.

Number:	280120-v1	
Sheet:	A4	
Scale:	1:20	
Mass:	with soft wood	116 lb
	with hard wood	127 lb