

GENERAL TECHNICAL DATA

dimensions:

- total height: 120 cm
- height to the ground level: 80 cm
- width: 58 cm
- depth: 6 cm

weight:

- 12 kg (concrete foundation)
- 9 kg (anchored by bolts)

materials:

- stainless or carbon steel

DESCRIPTION

Welded construction made of 60 mm diameter steel tube, of carbon steel s235Jr galvanized and powder-coated according to RAL palette or entirely of brushed stainless steel 1.4301.

Two bicycles can be attached to the rack.

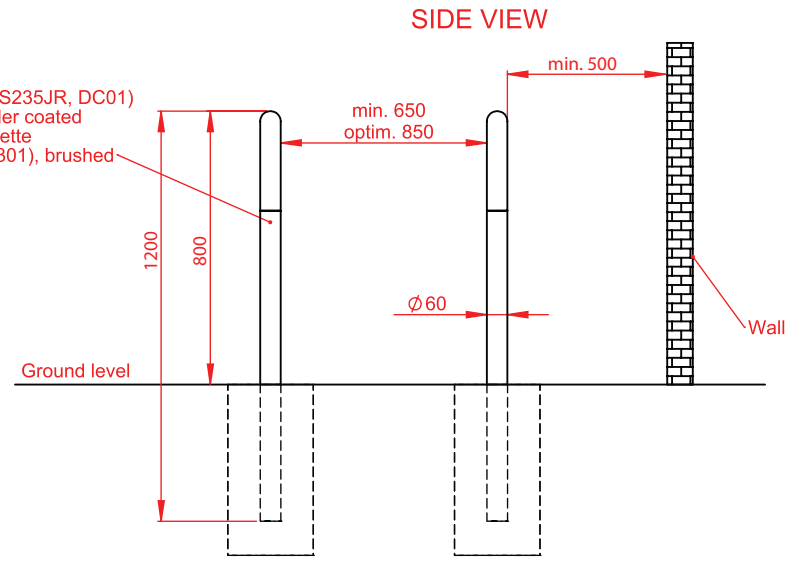
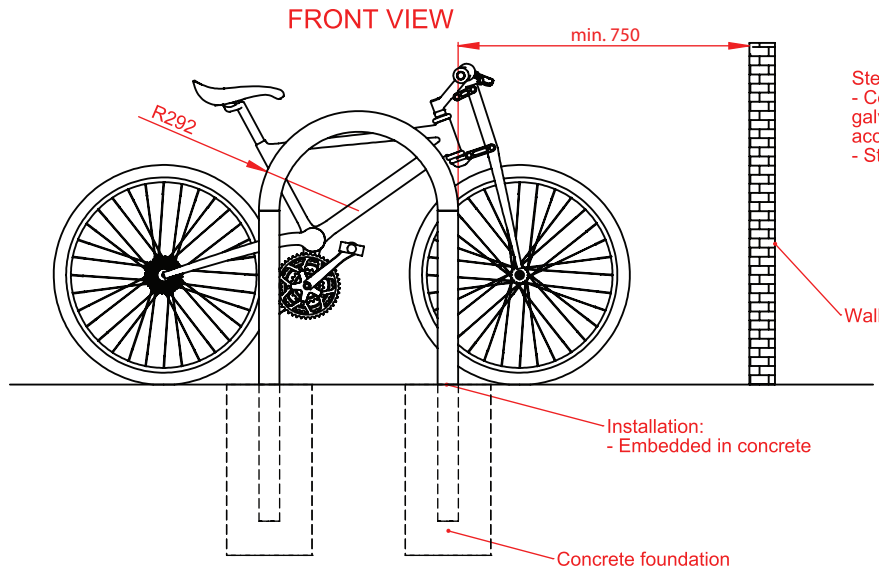
All street furniture elements must be properly anchored according to the manufacturer's technical instructions. The manufacturer is not responsible for damage caused by negligent use or failure to follow the instructions.



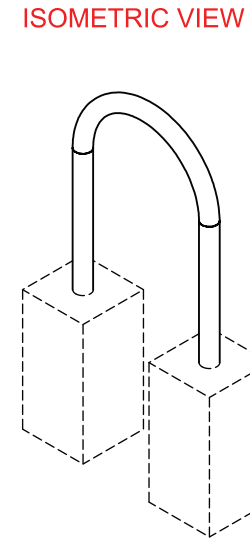
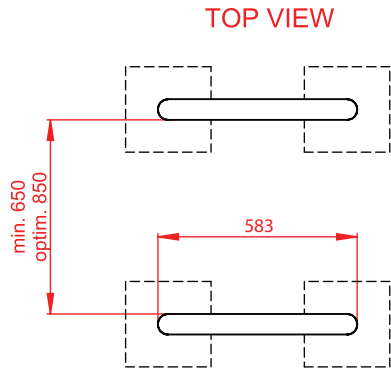
product: ARCUS bicycle rack 05.021

version: v 1

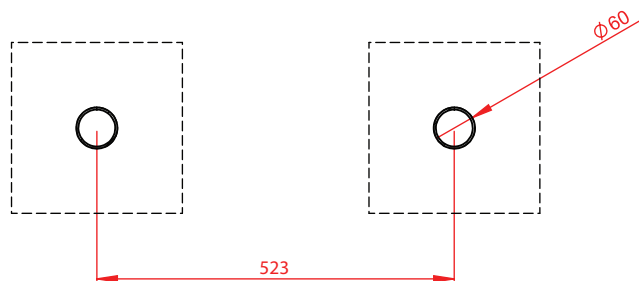
The design and content of the drawing is the intellectual property of ZANO Miroslaw Zarotyński. The author of the design in accordance with the Act on Copyright and Related Rights of 04.02.1994. (Journal of Laws 2006 No. 90 item 631 with later changes) reserves the copyright. All rights reserved.



Steel types:
- Construction steel (S235JR, DC01)
galvanized and powder coated
according to RAL palette
- Stainless steel (1.4301), brushed



EMBEDDED ELEMENTS SPACING (SCALE 1:10)



Dimensions given in [mm]

Project and drawing content is intellectual property of ZANO Street Architecture company. The author of the project reserves all rights in accordance with the Directives (EU), 2019/790 of the European Parliament and of the Council of 17 April 2019 on copyright and related rights in the Digital Single Market, Directive 96/9/EC and 2001/29/EC. All rights reserved.

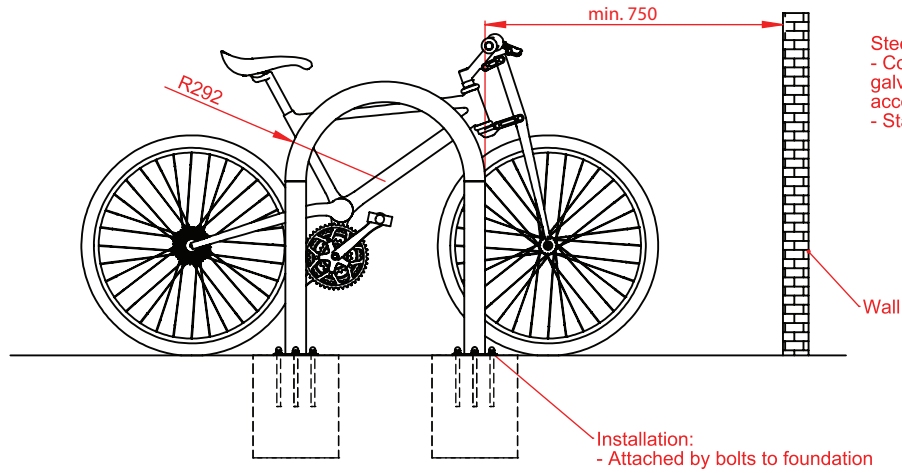


ul.Lindego 7a,
30-148 Kraków

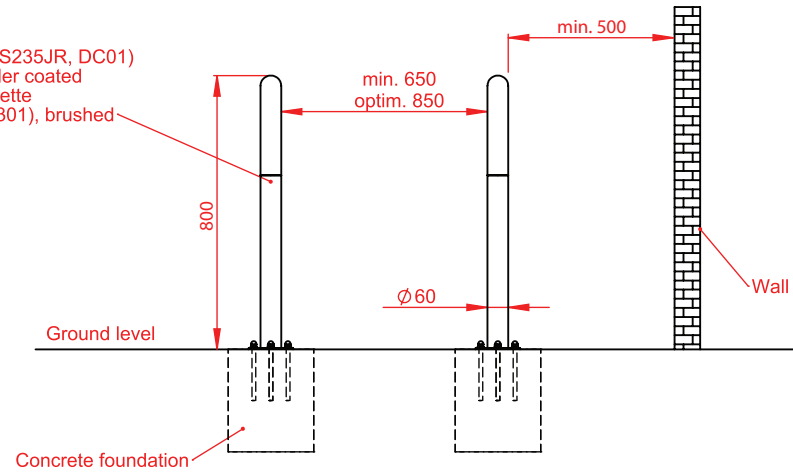
Bicycle rack
Arcus 05.021

Number:	100418-v1	
Sheet:	A4	
Scale:	1:20	
Mass:	12 kg	

FRONT VIEW

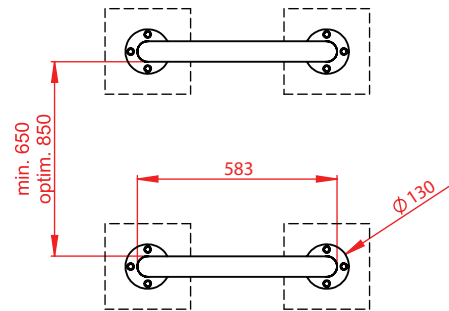


SIDE VIEW

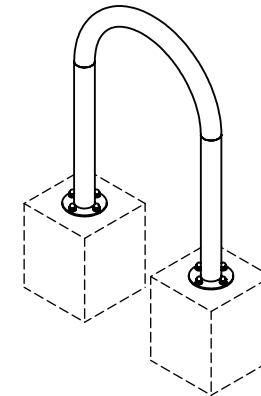


Steel types:
- Construction steel (S235JR, DC01)
galvanized and powder coated
according to RAL palette
- Stainless steel (1.4301), brushed

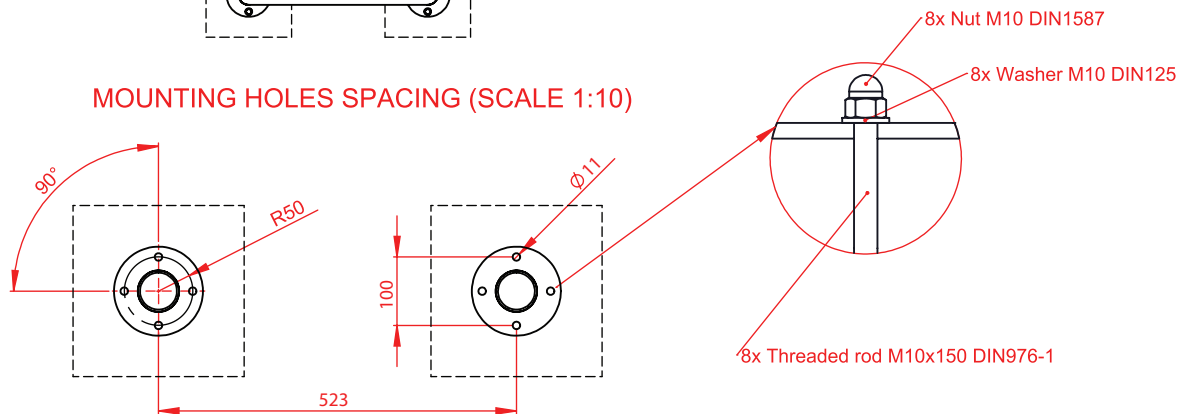
TOP VIEW



ISOMETRIC VIEW



MOUNTING HOLES SPACING (SCALE 1:10)



Dimensions given in [mm]

Project and drawing content is intellectual property of ZANO Street Architecture company. The author of the project reserves all rights in accordance with the Directives (EU): 2019/790 of the European Parliament and of the Council of 17 April 2019 on copyright and related rights in the Digital Single Market, Directive 96/9/EC and 2001/29/EC. All rights reserved.



ul.Lindego 7a,
30-148 Kraków

Bicycle rack
Arcus 05.021

Number:	100418-v1	
Sheet:	A4	
Scale:	1:20	
Mass:	9 kg	